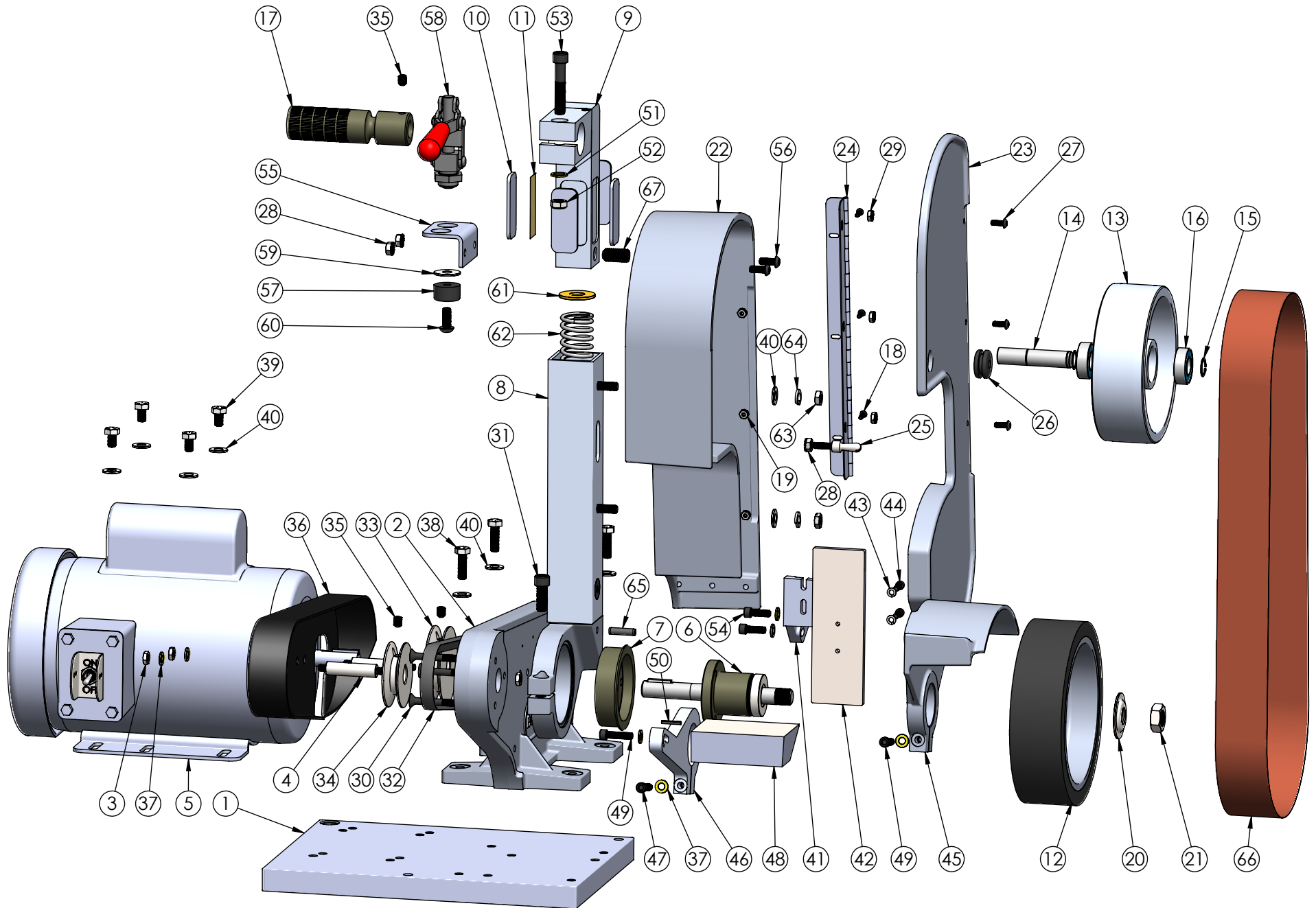


# MODEL X400 EXPLODED VIEW



# MODEL X400 PARTS LIST

ITEM NO.	PART NUMBER	DESCRIPTION	QTY.
1	731	BASE-MACHINE	1
2	600	FRAME-MAIN	1
3	3	NUT 1/4-20 JAM	4
4	728A	STUD-V-BELT GUARD	2
5	MOTOR	MOTOR***CALL FACTORY***	1
6	701	BEARING ASSEMBLY	1
7	240	CUP-BEARING HOUSING	1
8	247	CLAMP TUBE ASSEMBLY	1
9	245	GOOSENECK ASSEMBLY	1
10	241	PAD-GLIDE	4
11	99-0075	SHIM 002-.010 (TO FIT)	1
12	WHEEL***	CONTACT WHEEL CALL FACTORY	1
13	707ESDM*	WHEEL-IDLER	1
14	707C*	SHAFT-BEARING	1
15	701F*	CIRCLIP 5/8	2
16	701B*	BEARING-BALL	2
17	246	HANDLE-TRACKING	1
18	24	BHSHCS 6-32 X 1/2	3
19	23	NUT, 6-32 KEP	3
20	726	FLANGE, OUTER WHEEL	1
21	727	NUT, 5/8-18 JAM	1
22	242A-1	GUARD-BELT	1
23	242B-1	DOOR-GUARD	1
24	742E	HINGE-GUARD	1
25	742L	LATCH, DOOR	1
26	742H	GROMMET, LATCH	1
27	9	BHSHCS 10-24 X 1/2	3
28	4-0013	NUT 1/4-20 KEP	3
29	14	NUT 10-24 KEP	3
30	1-0049	1/4-20 x 2 1/4 FHSHCS	3
31	2-0016	SCREW-3/8-16 x 1 SHCS	1
32	729-2	V-BELT A28	1
33	730	PULLEY, AX30 X 5/8	1
34	725	PULLEY, AX25 X 5/8	1

ITEM NO.	PART NUMBER	DESCRIPTION	QTY.
35	25	SET SCREW 5/16-18 X 3/8 CP	3
36	728	GUARD, V-BELT	1
37	5	WASHER 1/4 AN960-416	7
38	1	HHCS 5/16-18 X 1 GR 5	4
39	2	5/16-18 x 1/2 HH SCREW GR 5	4
40	4	WASHER 5/16 SAE	10
41	704-1B**	BRACKET, PLATEN	1
42	704-1A**	PLATEN	1
43	15	WASHER #10 SPLIT	2
44	13	SHCS 10-24 x 3/4	2
45	703-4	GUARD, WHEEL (X-400)	1
46	705-1	ARM-WORKREST SUPPORT	1
47	31	SHCS 1/4-20 X 1 1/4	1
48	706-1	WORKREST	1
49	30	SHCS 1/4-20 X 1	2
50	6-0014	PIN, ROLL 1/8 X 3/4	1
51	17	WASHER 3/8 AN960-616	1
52	39	NUT 3/8-24 JAM ESNA	1
53	7-0016	3/8-24 x 2 SHCS	1
54	209	SHCS 1/4-20 X 3/4	2
55	253	BRACKET-BELT CHANGE	1
56	2-0019	1/4-20 x 5/8 BHSHCS	2
57	1515-1	GROMMET/BUMPER	1
58	1055	HANDLE-BELT CHANGE	1
59	7-0012	WASHER-5/16 FENDER	1
60	7-0011	5/16-18 X 3/4 BHSHCS	1
61	6-0017	WASHER-1/2 USS FLAT	1
62	248	SPRING-BELT TENSION	1
63	4-0009	5/16-18 JAM NUT	2
64	5-0017	WASHER, 5/16 SPLIT LOCK	2
65	724-1	SPRING PIN, 1/4 X 1	1
66	BELT	BELT 2 X 48	1
67	7-0017	SET SCREW 1/2-13 x 1 CP	1

\* MAY BE ORDERED AS ASSEMBLY--ORDER P/N 707

\*\* MAY BE ORDERED AS ASSEMBLY--ORDER P/N 704-1

\*\*\* CONTACT WHEEL FOR SKU 24820 IS P/N 7022

Contact wheel part number is stamped on the wheel with date code

\*\*\* Standard metal toggle switch is P/N 011DKIT