

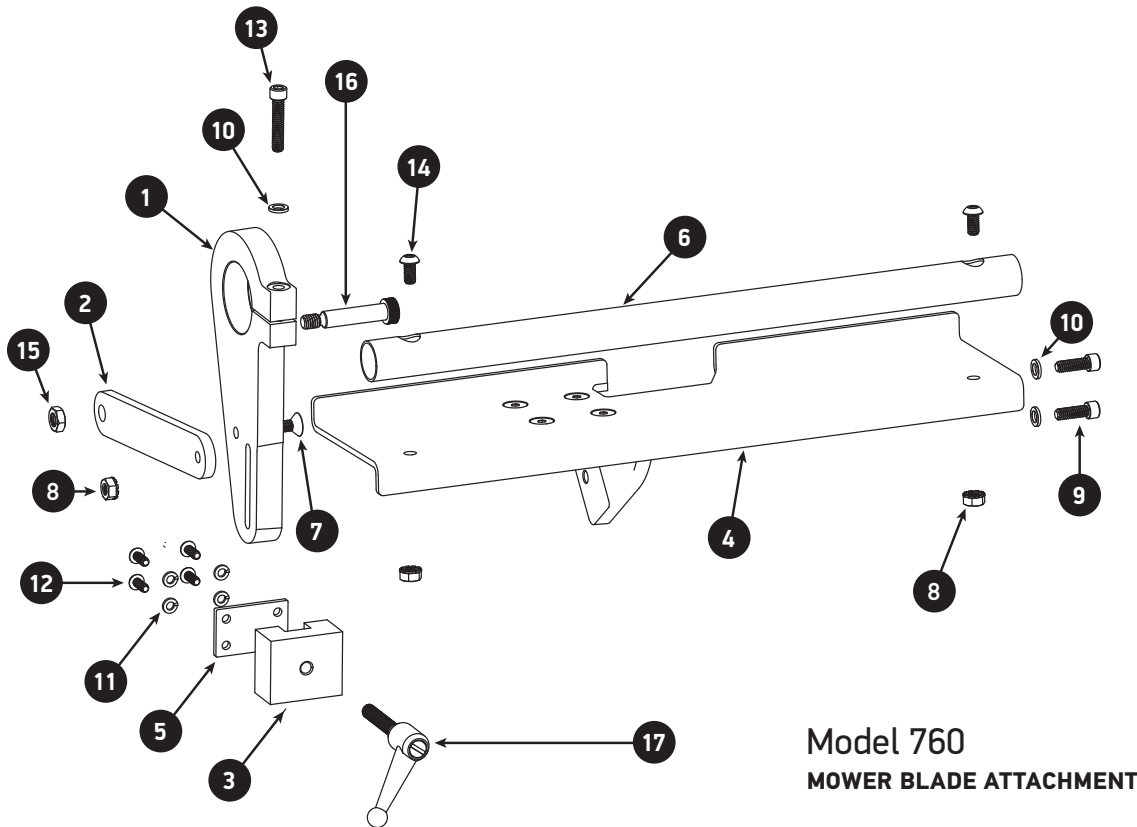
## Available Parts

Please refer to the parts drawing when ordering parts. Not all components of the attachments are replacement items, but are illustrated as a convenient reference of location and position in the assembly sequence. When ordering parts, give grinder model number, part number and description of part.

Call or write for current pricing:

Oregon®, Blount, Inc.  
4909 SE International Way  
Portland, Oregon 97222  
800-223-5168

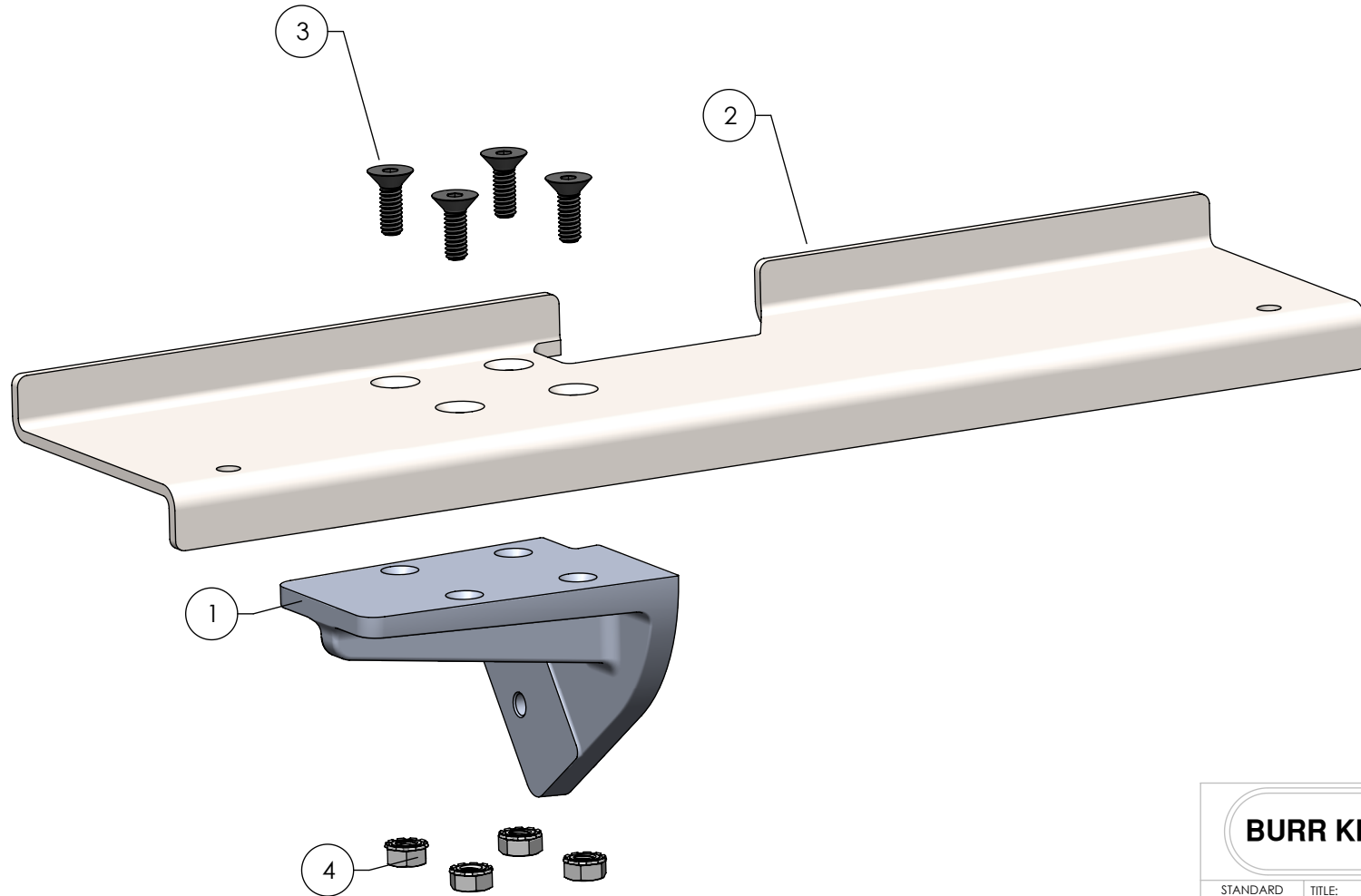
or you can contact us by email at  
technicalservices@OregonProducts.com




**Model 760**  
**MOWER BLADE ATTACHMENT**

Item	Part No.	Description	Qty.
1	0-9607	Workrest Support Arm	1
2	9610	Arm Bracket	1
3	9606	Guide Block	1
4	9609A	Workrest Assembly	1
5	9605	Alignment Plate	1
6	9602	Angle Tube	1
7	5-0047	Flathead Screw, 1/4"-20 x 1-1/4"	1
8	4-0013	Kep Nut, 1/4"-20	3
9	209	Allen Head Screw, 1/4"-20 x 3/4"	2
10	5	Washer, 1/4"	3
11	15	Washer, #10 LOCK, Split	4
12	9	Button Head Black Oxide Screw, 10-24 x 1/2"	4
13	31	Screw, 1/4"-20 x 1-1/4"	1
14	2-0014	Button Head Screw, 1/4"-20 x 1/2"	2
15	4-0009	Jam Nut, 5/16"-18	1
16	2-0064	Shoulder Screw, 3/8" x 1-1/2"	1
17	1203-2	Handle-Locking	1

ITEM NO.	PART NUMBER	DESCRIPTION	QTY.
1	O-9608	BRACKET-WORKREST	1
2	9609KIT	WORKREST	1
3	5-0046	FHSHCS, 1/4-20 x 3/4	4
4	4-0013	NUT, 1/4"-20 KEP	4

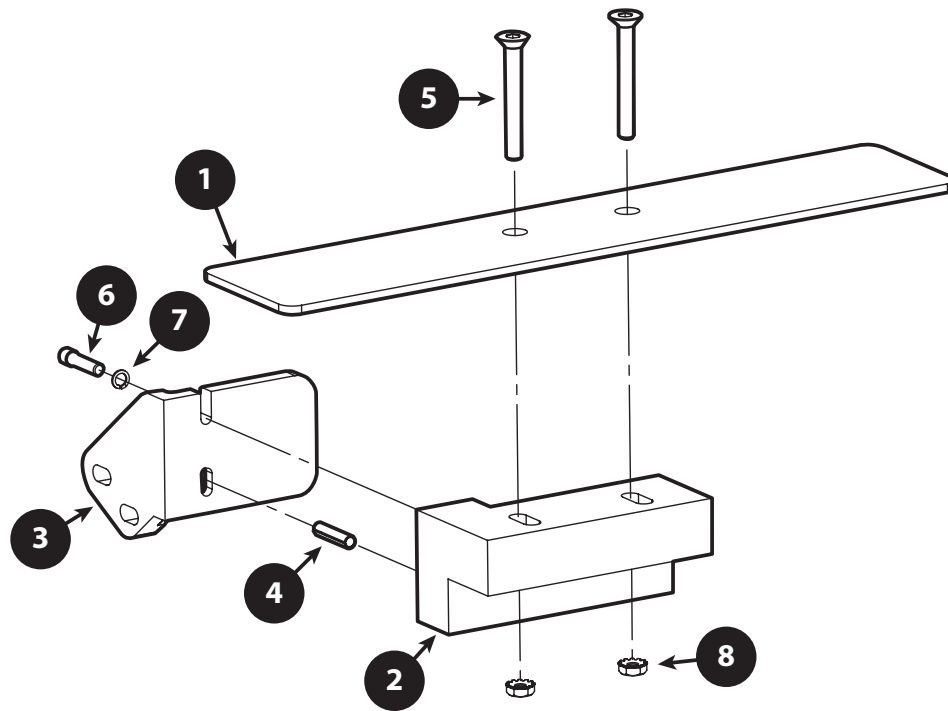


THE DATA CONTAINED HEREIN IS THE SOLE PROPERTY OF BURR KING MFG. CO., INC. REPRODUCTION OR DISTRIBUTION OF THIS DATA IS STRICTLY PROHIBITED WITHOUT CONSENT OF BURR KING MFG. CO., INC.

		1220 TAMARA LANE WARSAW, MO 65355 PH: 660-438-8998 800-621-2748 FAX: 660-438-8991 E-MAIL: info@burrking.com		
		STANDARD TOLERANCES X.X = ±0.06 X.X X = ±0.01 X.X X X = ±0.005 ANGLE = ±1/2°	TITLE: <b>WORKREST ASSEMBLY</b>	SHEET 1 OF 1
		PART NO.	<b>9609A</b>	REV. <b>A</b>
		DRAWN BY: KDE	DATE DRAWN: 05/06/2019	

## Part #88-116

### CHAIN SAW BAR GRINDING ATTACHMENT



Item	Part No.	Description
1	9603	Chain Saw Bar Grinding Platen
2	0-9604	Aluminum Block
3	0-704-1	Platen Bracket
4	6-0001	Roll Plated Pin, 3/16" x 1"
5	6	Flathead Screw, 1/4"-20 x 1-1/2"
6	13	Cap Head Allen Screw, 10-24 x 3/4"
7	5-0049	High Collar Lock Washer, #10
8	4-0013	Kep Nut, 1/4"-20