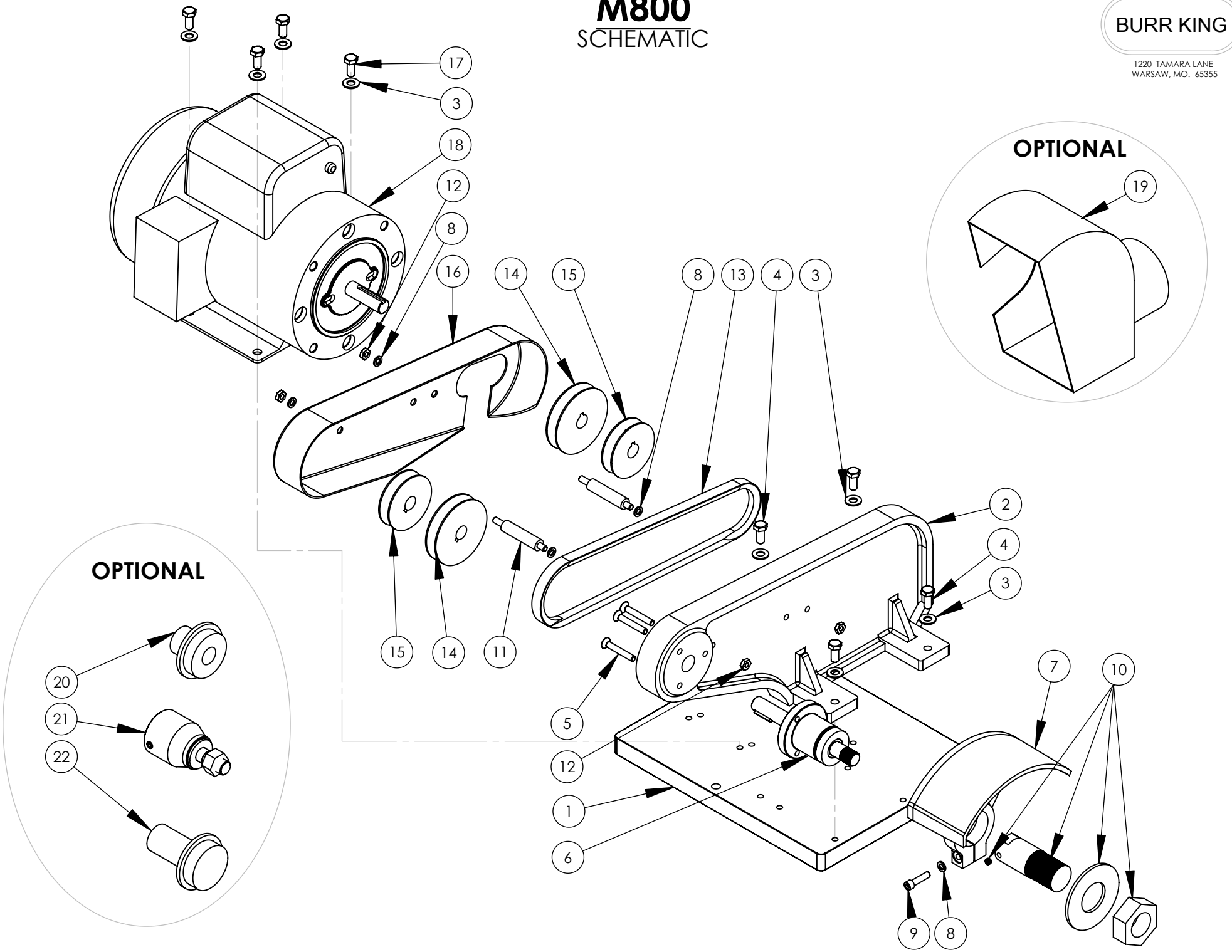


M800 SCHEMATIC

BURR KING

1220 TAMARA LANE
WARSAW, MO. 65355



M800			
ITEM NO.	PART NUMBER	DESCRIPTION	QTY.
1	731	BASE, MACHINE	1
2	600	FRAME, MAIN	1
3	4	WASHER, 5/16 SAE ZINC PLTD	8
4	37	BOLT, 5/16-18x3/4 HEX HEAD	4
5	6	1/4-20 x 1 1/2 FH SOC	3
6	701	BEARING, CONTACT WHEEL ASSY	1
7	903K	GUARD, CONTACT WHEEL	1
8	5	WASHER, 1/4 AN	5
9	31	SCREW 1/4-20x1 1/4 SHCS	1
10	WA14	ADAPTER 1- 1/4"	1
11	728A	STUD, GUARD, V, BELT	2
12	3	NUT, 1/4-20 JAM, PLTD	4
13	729	BELT, V DRIVE	1
14	730	PULLEY, 3.0	2
15	725	PULLEY, 2.5	2
16	728	GUARD, V-BELT	1
17	2	BOLT, 5/16-18x1 1/2 HEX HEAD	4
18	MOTOR	CALL FACTORY*	1

OPTIONAL ATTACHMENT			
ITEM NO.	PART NUMBER	DESCRIPTION	QTY.
19	DS8	SCOOP, DUST	1

ACCESSORY WHEEL ADAPTERS			
ITEM NO.	PART NUMBER	DESCRIPTION	QTY.
20	WA1	ADAPTER 1"	1
21	WA12	ADAPTER 1/2"	1
22	WA2	ADAPTER 2"	1

*** 011C ROCKER SWITCH FOR 1PH**