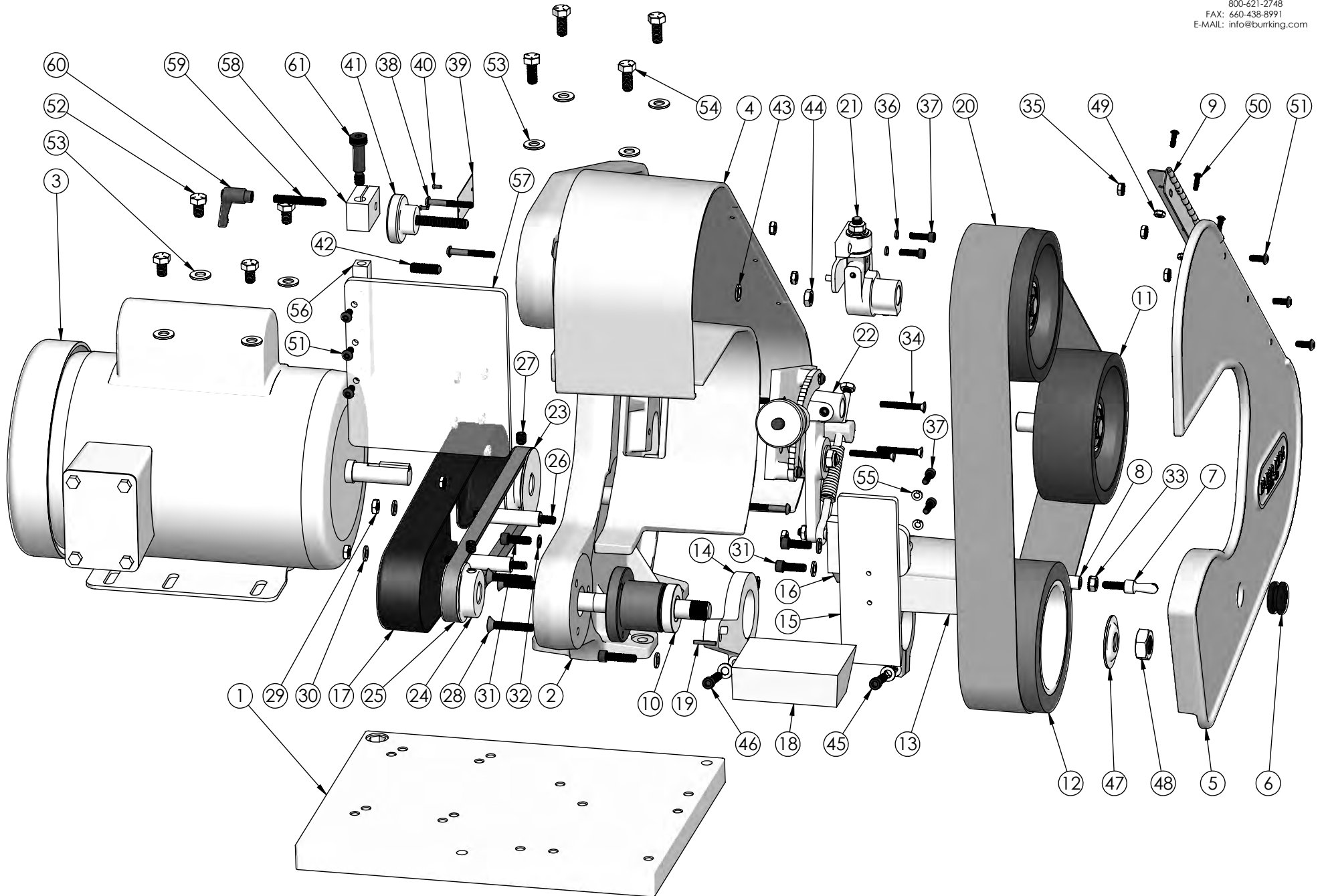


MODEL 482-1 PARTS SCHEMATIC

BURR KING

1220 TAMARA LANE
WARSAW, MO 65355
PH: 660-438-8998
800-621-2748
FAX: 660-438-8991
E-MAIL: info@burrking.com



MODEL 482-1 PARTS LIST

ITEM NO.	PART NUMBER	DESCRIPTION	QTY.
1	731	BASE, MACHINE	1
2	400M	FRAME-MAIN 482	1
3	MOTOR	MOTOR ***CALL FACTORY***	1
4	442A-2	GUARD-SAFETY	1
5	442B-2	DOOR-SAFETY GUARD	1
6	742H	GROMMET, LATCH	1
7	742L	LATCH, DOOR	1
8	942C-4	STANDOFF, DOOR LATCH	1
9	742E	HINGE-DOOR	1
10	701	BEARING ASSEMBLY	1
11	407	WHEEL-IDLER (ASSY)	2
12	402	CONTACT WHL, 2X5	1
13	403-1	GUARD-WHEEL	1
14	405-1	ARM, WORKREST SUPPORT	1
15	404-1A	PLATEN	1
16	704-1B	BRACKET, PLATEN	1
17	428	GUARD, V-BELT	1
18	706-1	WORKREST	1
19	6-0014	PIN, ROLL 1/8 X 3/4	1
20	2 X 48	BELT-ABRASIVE	1
21	415	TRACKING ASSEMBLY	1
22	445	QUICK-CHANGE ASSEMBLY	1
23	725	PULLEY, AX25 X 5/8	1
24	425	PULLEY, AK20 X 5/8	1
25	429	BELT-V	1
26	728A	STUD, V-BELT GUARD	2
27	25	SET SCREW 5/16-18 X 3/8 CP	2
28	6	FHSHCS 1/4-20 X 1 1/2	3
29	3	NUT 1/4-20 JAM	4
30	5	WASHER 1/4 AN960-416	8
31	209	SHCS 1/4-20 X 3/4	3

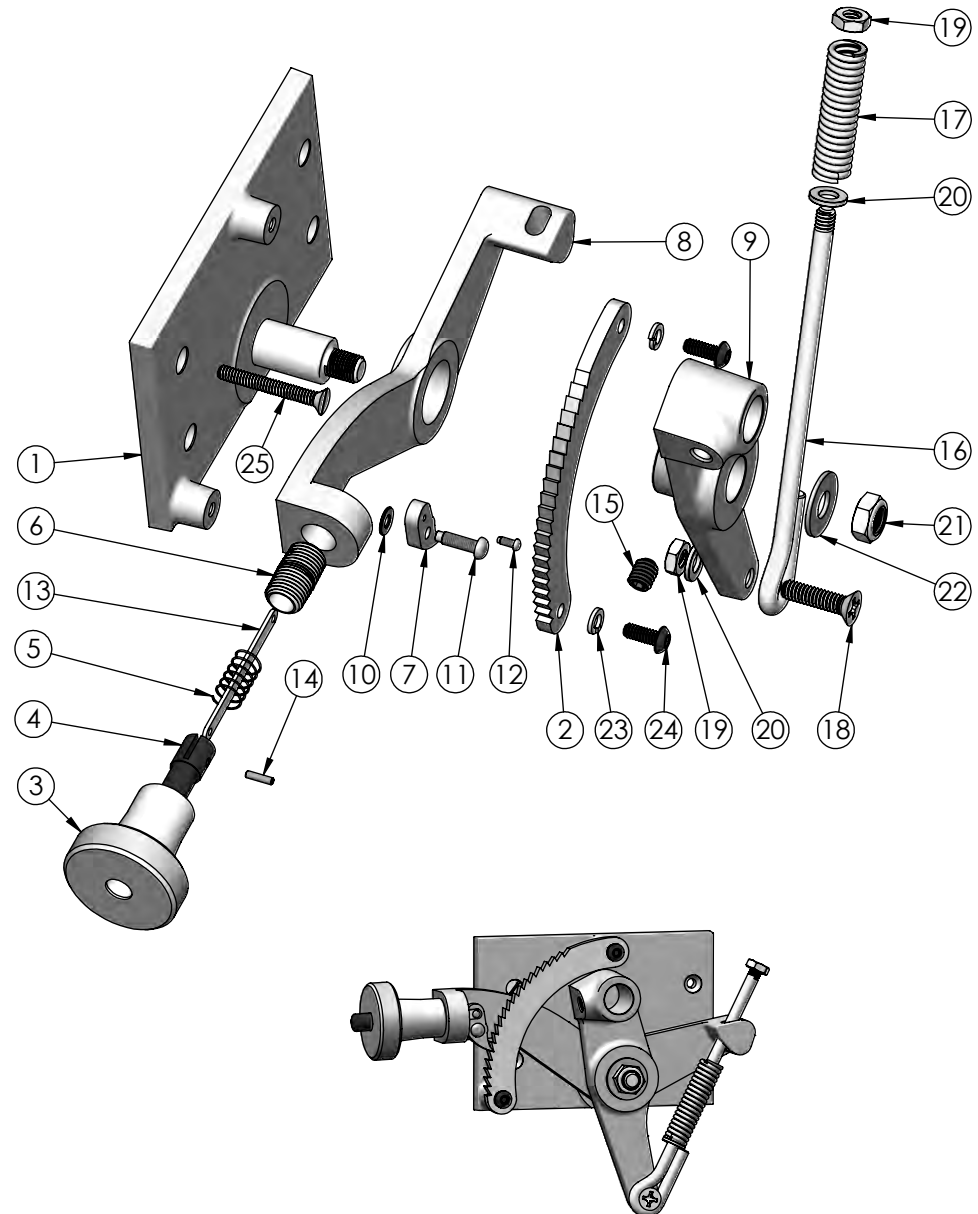
ITEM NO.	PART NUMBER	DESCRIPTION	QTY.
32	5-0032	WASHER 1/4 SPLIT LOCK	1
33	4-0013	NUT 1/4-20 KEP	1
34	7	SCREW 10-24 x 1 1/2 FH	3
35	14	NUT 10-24 KEP	12
36	5-0035	WASHER, #10, LOCK, HC	2
37	13	SHCS 10-24 x 3/4	4
38	8	SCREW, 10-32x1 1/2 BSHCS	5
39	LABEL 20	BK S/N PLATE	1
40	28	DRIVE SCREW #2 x 1/4	2
41	711	KNOB-TRACKING	1
42	421A	SETSCREW-5/16-18 x 1 FP	1
43	18	WASHER 5/16 AN960-516	1
44	4-0009	5/16-18 JAM NUT	1
45	30	SHCS 1/4-20 X 1	2
46	31	SHCS 1/4-20 X 1 1/4	1
47	726	FLANGE, OUTER WHEEL	1
48	727	NUT, 5/8-18 JAM	1
49	23	NUT, 6-32 KEP	3
50	24	BHSHCS 6-32 X 1/2	3
51	9	BHSHCS 10-24 X 1/2	6
52	2	5/16-18 x 1/2 HH SCREW GR 5	4
53	4	WASHER 5/16 SAE	8
54	37	HHCS 5/16-18 X 3/4 GR 5	4
55	15	WASHER #10 SPLIT	2
56	105117	MOUNT-SHIELD	1
57	105118	SHIELD-SAFETY	1
58	105119	CLAMP/SWIVEL	1
59	7-0069	SET SCREW 1/4-20 x 1 3/4 CP	1
60	7-0052	LOCK HANDLE-SMALL	1
61	2-0063	3/8 x 1 SHOULDER SCREW	1

445 QUICK-CHANGE ASSY. PARTS SCHEMATIC

BURR KING

1220 TAMARA LANE
WARSAW, MO 65355
PH: 660-438-8998
800-621-2748
FAX: 660-438-8991
E-MAIL: info@burrking.com

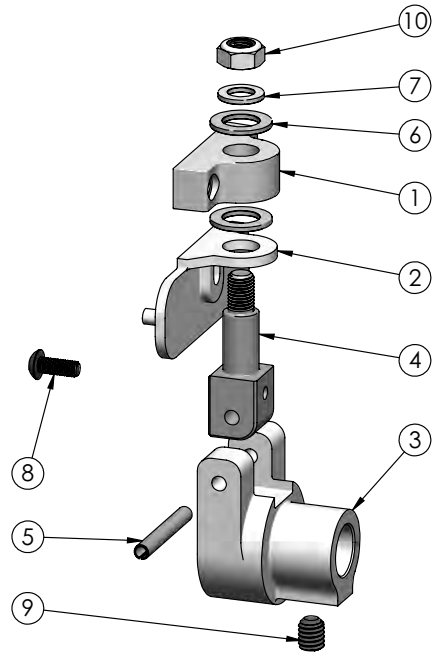
ITEM NO.	PART NUMBER	DESCRIPTION	QTY.
1	434	BASE-QC (ASSY)	1
2	736	SECTOR-QC	1
3	737A	KNOB-HANDLE	1
4	737B	BUTTON	1
5	737D	SPRING, BUTTON	1
6	737E	NIPPLE-1/4 CLOSE	1
7	437F	PAWL	1
8	437G	HANDLE-QC	1
9	435	SUPPORT-REAR WHEEL	1
10	5-0027	WASHER #8 FLAT	1
11	27	DRIVE SCREW #8 X 5/8	1
12	28	DRIVE SCREW #2 x 1/4	1
13	437C	STRIP	1
14	26	PIN 3/32 x 3/8 ROLL	1
15	25	SET SCREW 5/16-18 X 3/8 CP	1
16	739	GUIDE-SPRING	1
17	738	SPRING-BELT TENSION	1
18	34	SCREW 1/4-20 X 1 FH PH	1
19	3	NUT 1/4-20 JAM	2
20	5	WASHER 1/4 AN960-416	2
21	39	NUT 3/8-24 JAM ESNA	1
22	40	WASHER 3/8 SAE	1
23	15	WASHER #10 SPLIT	2
24	9	BHSHCS 10-24 X 1/2	2
25	7	SCREW 10-24 x 1 1/2 FH	1



BURR KING

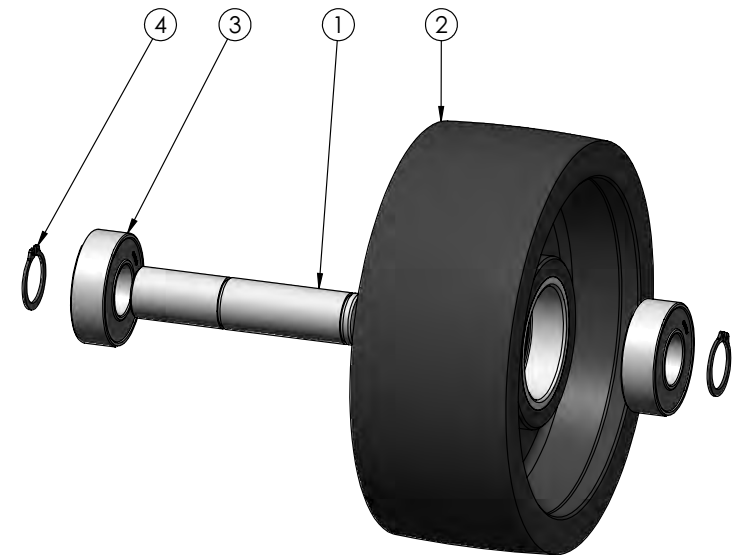
1220 TAMARA LANE
WARSAW, MO 65355
PH: 660-438-8998
800-621-2748
FAX: 660-438-8991
E-MAIL: info@burking.com

415 TRACKING ASSY. PARTS SCHEMATIC



ITEM NO.	PART NUMBER	DESCRIPTION	QTY.
1	717	BLOCK, PIVOT	1
2	410	BRACKET-TRACKING	1
3	414-1	SUPPORT-UPPER WHEEL	1
4	416	SWIVEL-TRACKING	1
5	424	PIN, 3/16 X 1 1/2, ROLL	1
6	16	WASHER, 960-716, AN	2
7	18	WASHER 5/16 AN960-516	1
8	29	BHSHCS 10-32 X 1/2	1
9	25	SET SCREW 5/16-18 X 3/8 CP	1
10	19	NUT, NYLOK JAM 5/16-24	1

407 PARTS SCHEMATIC



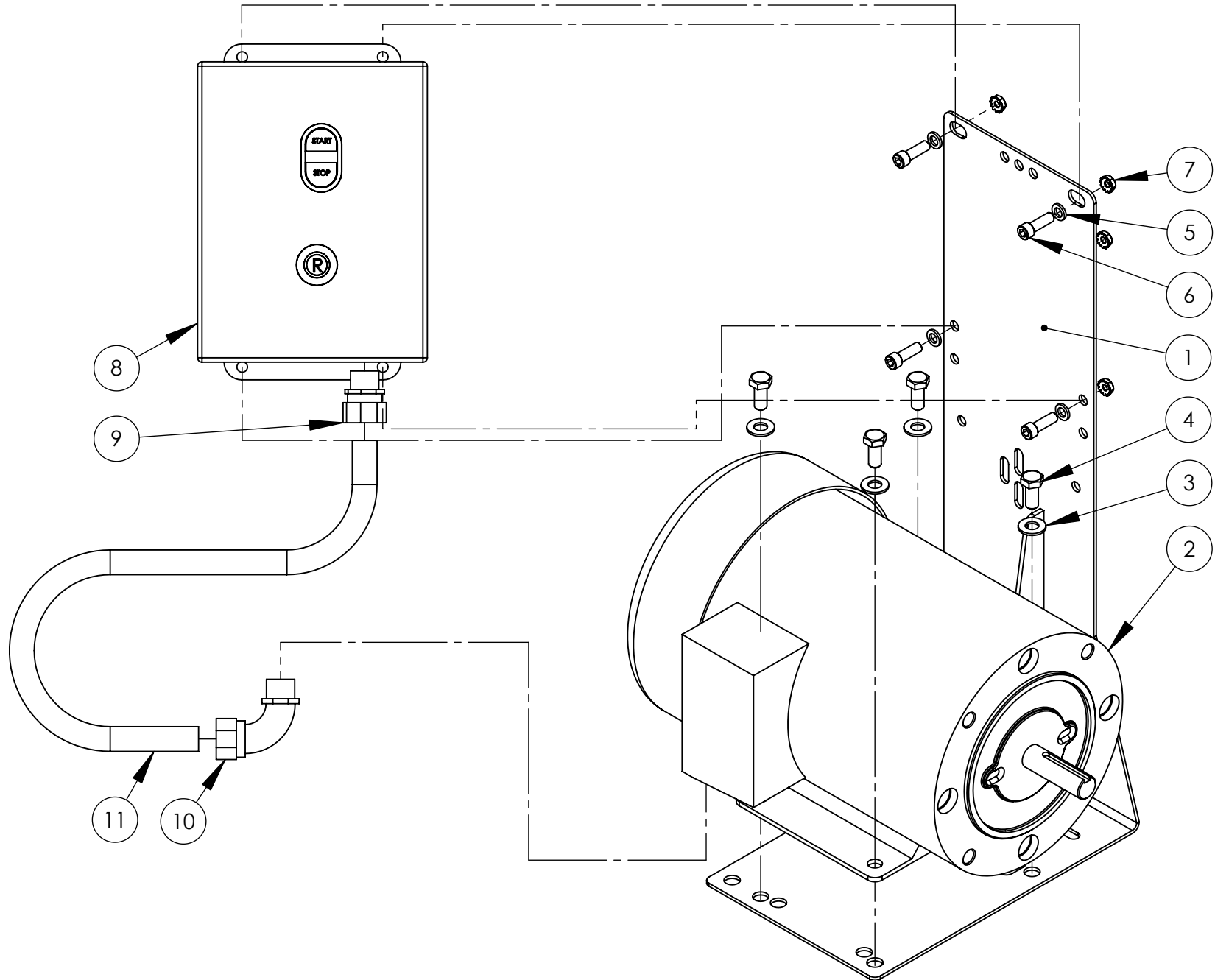
ITEM NO.	PART NUMBER	DESCRIPTION	QTY.
1	707C	SHAFT, BEARING	1
2	407RPM	WHEEL-IDLER	1
3	701B	BEARING-BALL	2
4	701F	CIRCLIP 5/8	2

MAG STARTER

PARTS LIST

BURR KING

1220 TAMARA LANE
WARSAW, MO. 65355



MAG STARTER			
ITEM NO.	PART NUMBER	DESCRIPTION	QTY.
1	MB-4C	BRACKET, MOUNTING, STARTER	1
2	MOTOR	CALL FACTORY FOR PART NUMBER	1
3	4	WASHER, 5/16 SAE ZINC PLTD	4
4	37	BOLT, 5/16-18x3/4 HEX HEAD	4
5	5	WASHER, 1/4 AN	4
6	209	SCREW, 1/4-20 X 3/4 ALLEN HEAD	4
7	4-0013	NUT, KEP, 1/4-20	4
8	MS2A3 MS4A3 MS2B3 MS4B3	3/4HP-1HP, 220V 3/4HP-1HP, 440V 1.5HP-3HP, 220V 1.5HP-3HP, 440V	1
9	775	CONNECTOR, 3/8", STR, LIQ. TIGHT	1
10	776	CONNECTOR, 3/8", 90 DEG, LIQ. TIGHT	1
11	020	CONDUIT 3/8" LIQUID TIGHT	1

VARI SPEED

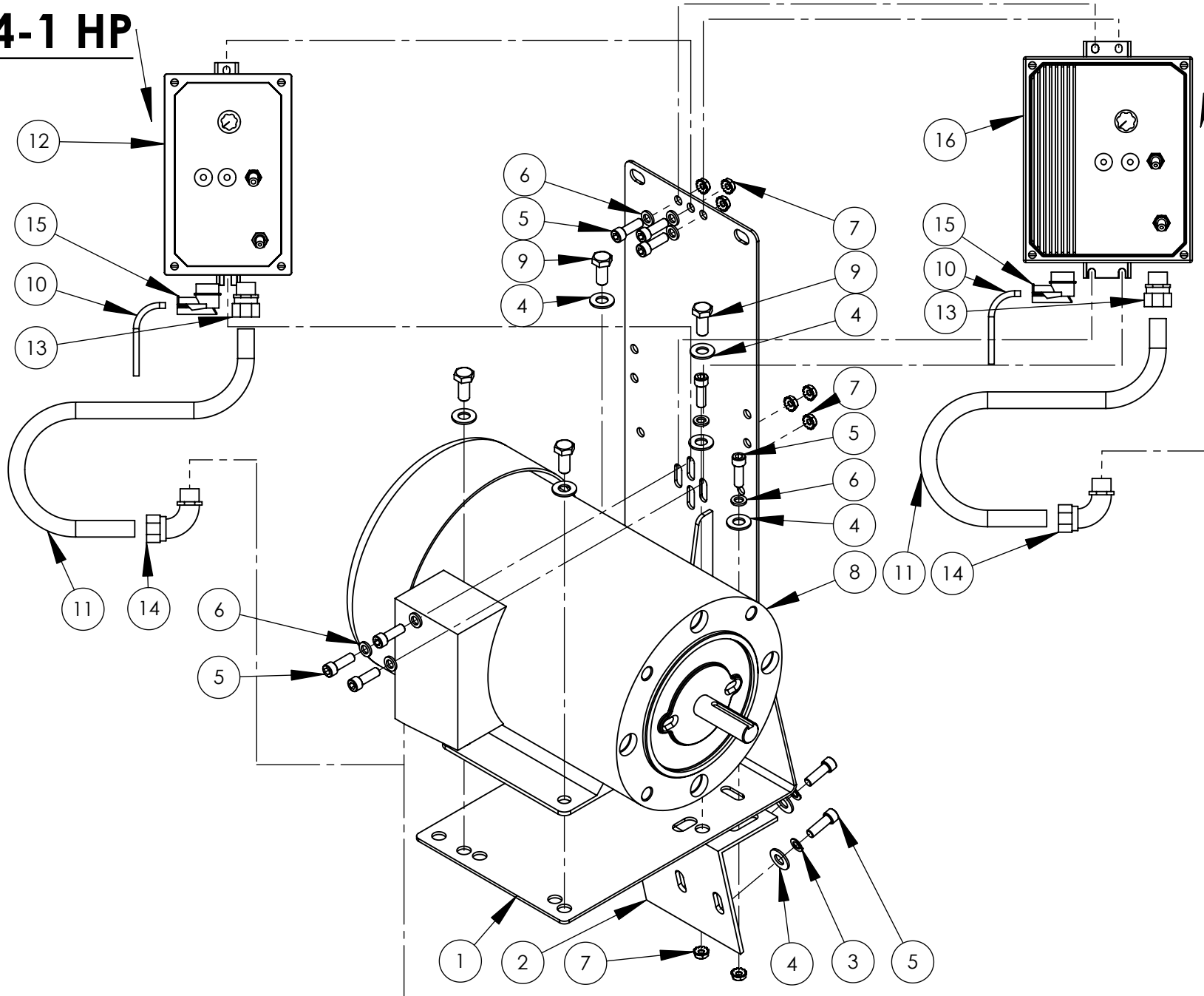
SINGLE PHASE

BURR KING

1220 TAMARA LANE
WARSAW, MO. 65355

3/4-1 HP

1.5-3 HP



VARI SPEED			
ITEM NO.	PART NUMBER	DESCRIPTION	QTY.
1	MB-4C	BRACKET, MOUNTING, STARTER	1
2	941-3	BRACE, MB4 SUPPORT	1
3	5-0032	WASHER, 1/4, LOCK, SPLIT, PLTD	2
4	4	WASHER, 5/16 SAE ZINC PLTD	8
5	209	SCREW, 1/4-20 X 3/4 ALLEN HEAD	10
6	5	WASHER, 1/4 AN	8
7	4-0013	NUT, KEP, 1/4-20	8
8	100B-1725C 150B-1725C	1 HP MOTOR 1.5 HP MOTOR	1
9	37	BOLT, 5/16-18x3/4 HEX HEAD	4
10	015-1 017	120V CORD 220V CORD	1
11	020	CONDUIT 3/8" LIQUIDTIGHT	1
12	864-1	CONT. 115/220V 0.75-1HP	1
13	775	CONNECTOR, 3/8" STR, LIQ. TIGHT	1
14	776	CONNECTOR, 3/8", 90 DEG, LIQ. TIGHT	1
15	643	RELIEF, STRAIN 3/8" 90 DEG	1
16	862-3	CONT. 115/220V 1.5-3HP	1

NOTE

FOR 3 PHASE CONTROLLER CALL FACTORY.

CE CERTIFICATION PART NUMBERS

ADD TO CONTROLLER

ITEM NO.	PART NUMBER	DESCRIPTION	QTY.
12	9974-6	LINE FILTER	1
16	9974-5	LINE FILTER	1
CHANGE PART			
15	3356	RELIEF, STRAIN	1
10	CE CORD	NO PLUG- CUSTOMER INSTALLED PLUG	1