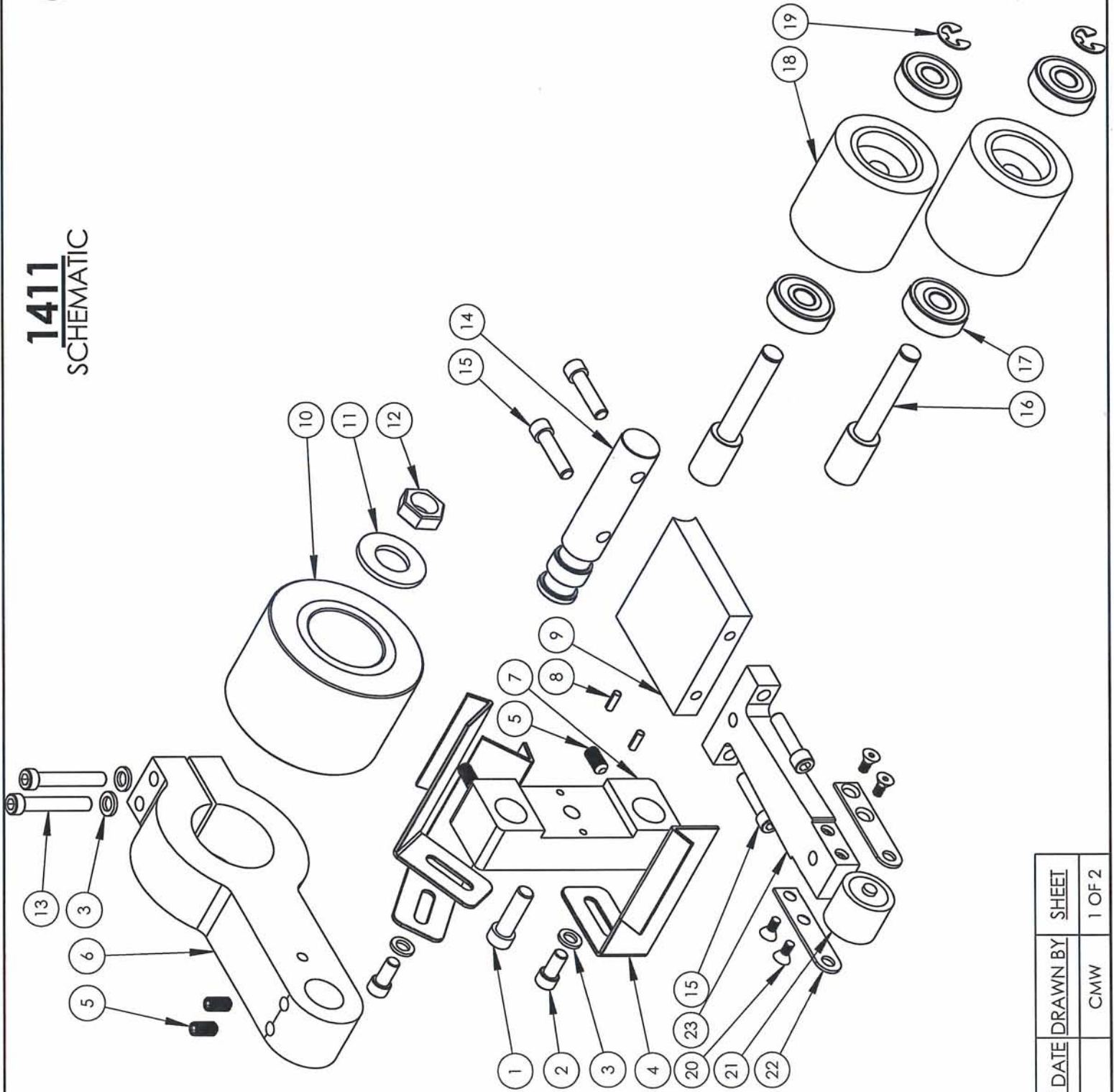


1411
 SCHEMATIC



DATE DRAWN	REV DATE	DRAWN BY	SHEET
9/10/2009		CMW	1 OF 2

1411			
ITEM NO.	PART NUMBER	DESCRIPTION	QTY.
1	1430	BOLT, 5/16-18 x 1, ALLEN	1
2	1431	BOLT, 1/4-20 x 1/2 ALLEN, CS	2
3	5	WASHER, 960-416 AN	4
4	1429	GUARD, PINCH, 2"	3
5	1445	SCREW, 1/4-20 x 3/8, SET	4
6	1425	BRACKET, MOUNTING	1
7	1428	BRACKET, IDLER WHEEL	1
8	1437	PIN, ROLL, 1/8 x 3/8	2
9	1427	SUPPORT, ARM	1
10	302	CONTACT WHEEL, 3 x 2, 70 DURO	1
11	1456	WASHER, 5/8, FLAT, SAE	1
12	727	NUT, 5/8-18 RH, JAM, BRT	1
13	2-0011	SCREW, 1/4-20 X 1.5 ALLEN	2
14	1426	BAR, PIVOT	1
15	30	SCREW, 1/4-20x1 SHCS, SOC CAP	4
16	1444A	SHAFT, IDLER	2
17	202B	BEARING	4
18	1444U	WHEEL, IDLER	2
19	1454	RING, RETAINING, E STYLE	2
20	1473	SCREW, 8-32 x 3/8, FH ALLEN	4
21	AJ5311	CONTACT WHEEL, 1 x .83 CA 70D	1
22	1472	RAIL, CONTACT WHEEL SUPPORT	2
23	1447	ARM, CLOSE ACCESS, 1 INCH	1

OPTIONAL CONTACT WHEELS	
PART NUMBER	DESCRIPTION
AD5312	1.5 x .83 USES 1472 RAILS
AB5312	.75 x .83 USES 1471 RAILS
AA5312	.56 x .83 USES 1471 RAILS

TITLE	DATE DRAWN	REV DATE	DRAWN BY	SHEET
1411	9/10/2009		CMW	2 OF 2