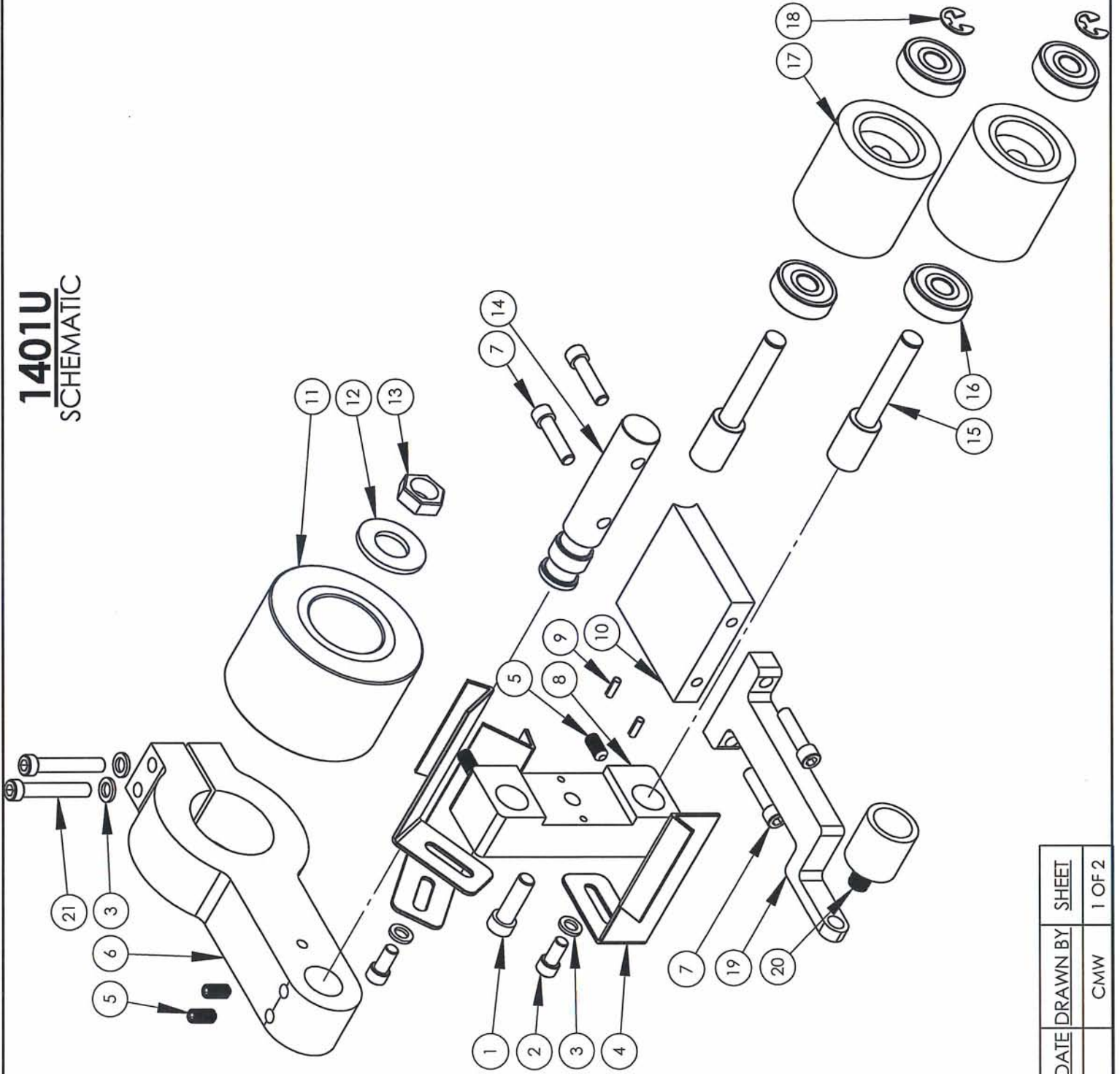


# 1401U SCHEMATIC

**BURR KING**

1220 TAMARA LANE  
WARSAW, MO. 65355



DATE DRAWN	REV DATE	DRAWN BY	SHEET
9/9/2009		CMW	1 OF 2

**1401U**

ITEM NO.	PART NUMBER	DESCRIPTION	QTY.
1	1430	BOLT, 5/16-18 x 1, ALLEN	1
2	1431	BOLT, 1/4-20 x 1/2 ALLEN, CS	2
3	5	WASHER, 960-416 AN	4
4	1429	GUARD, PINCH, 2"	3
5	1445	SCREW, 1/4-20 x 3/8, SET	4
6	1425	BRACKET, MOUNTING	1
7	30	SCREW, 1/4-20x1 SHCS, SOC CAP	4
8	1428	BRACKET, IDLER WHEEL	1
9	1437	PIN, ROLL, 1/8 x 3/8	2
10	1427	SUPPORT, ARM	1
11	302	CONTACT WHEEL, 3 x 2, 70 DURO	1
12	1456	WASHER, 5/8, FLAT, SAE	1
13	727	NUT, 5/8-18 RH, JAM, BRT	1
14	1426	BAR, PIVOT	1
15	1444A	SHAFT, IDLER	2
16	202B	BEARING	4
17	1444U	WHEEL, IDLER	2
18	1454	RING, RETAINING, E STYLE	2
19	1451-999	ARM, WHEEL MOUNT	1
20	AK1311	CONTACT WHEEL, 1 x 1, UNI, 70D	1
21	2-0011	SCREW, 1/4-20 X 1.5 ALLEN	2

OPTIONAL CONTACT WHEELS	
PART NUMBER	DESCRIPTION
AE1311	1.5 x 1
AN1311	.75 x 1 USES 1436 BUSHINGS
AL1311	.56 x 1 USES 1436 BUSHINGS

TITLE	DATE DRAWN	REV DATE	DRAWN BY	SHEET
1401U	9/9/2009		CMW	2 OF 2