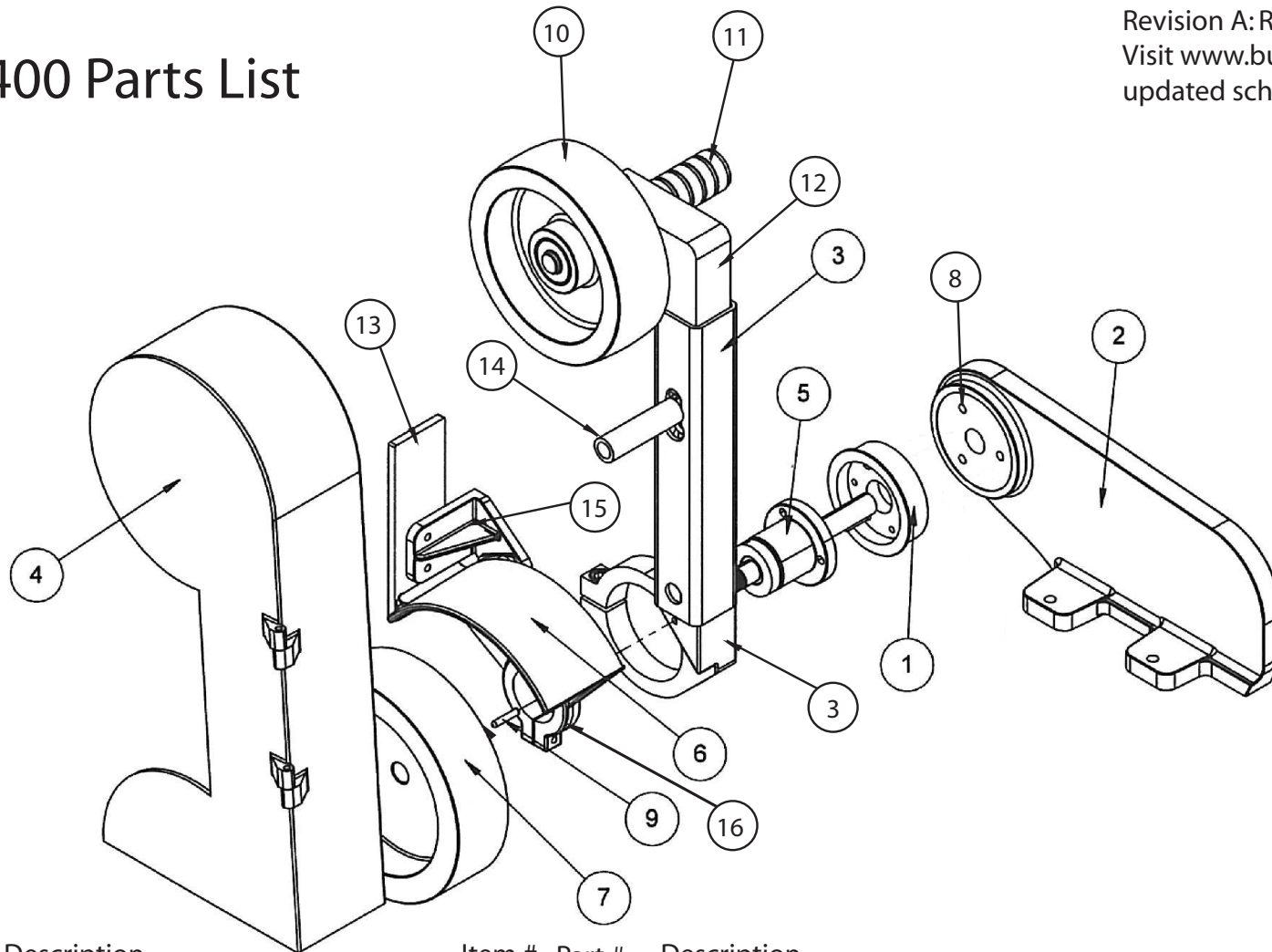


Model x400 Parts List

Revision A: Released 10/11/2011
 Visit www.burking.com for
 updated schematic & manual



Item #	Part #	Description
1	240	Cup, Bearing Housing
2	600	Frame, Main
3	247	Clamp, Tube Spacer, Assy.
4	242-1	Guard/Door Safety Complete
5	701	Bearing, Contact Wheel Assy.
6	703-4	Guard, Contact Wheel
7		Contact Wheel, Contact Factory
8	6	Screw 1/4-20x1-1/2, FH Allen
9	724	Pin, Support Upper Wheel

Item #	Part #	Description
10	707	Wheel, Idler (Aluminum)
11	246	Tracking Knob
12	245	Block, C-Frame Tracking Shaft Mount
13	704-1A	Platen, Backup, 2x6
14	244	Belt Release/Tension Handle
15	704-1B	Bracket, Backup
16	705-1	Arm, Workrest Support

Note: Motor Replacement, Contact Factory

