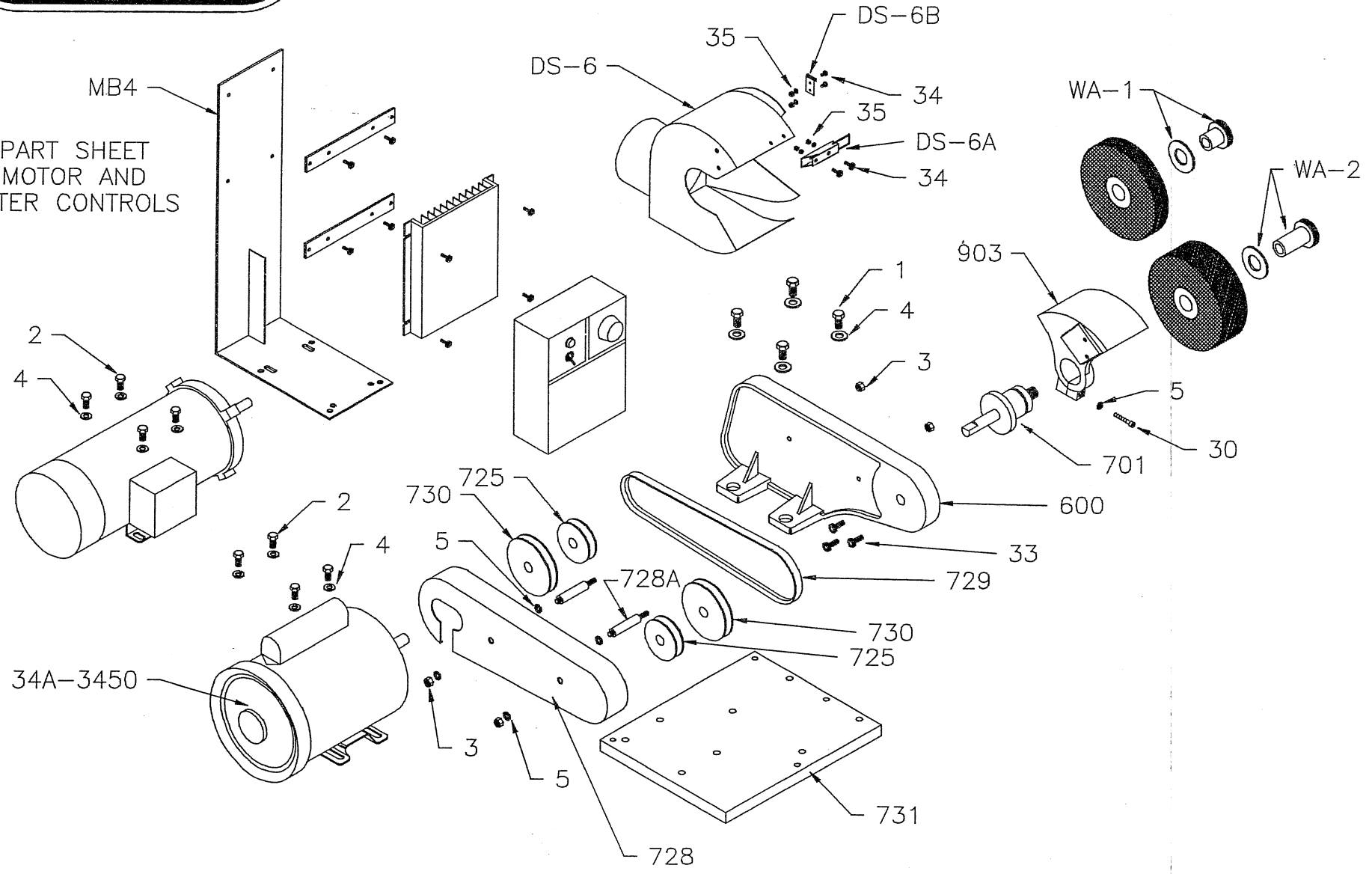




1220 Tamara Lane
Warsaw, Mo 65355

MODEL NO. 600

SEE PART SHEET
FOR MOTOR AND
STARTER CONTROLS



MODEL NO. 600

PART #	DESCRIPTION	QUANTITY
1	5/16-18x3/4" HH C/S BOLT	4
2	5/16-18x1/2" HH C/S BOLT	4
3	1/4-20 JAM NUT	4
4	5/16 USA WASHER	8
5	WASHER AN960-416	5
30	1/4-20x1" SOC CAP SCREW	1
33	1/4-20x1-1/2" FLT HD CAP SCREW	3
34	6/32x1/2" P.H. PHIL M/S	4
35	6/32 CAP NUT	4
600	MAIN PLATE	
701	WHEEL BEARING ASSEMBLY	
725	V-PULLEY	
728	V-BELT GUARD	
728A	V-BELT GUARD STUD	
729	V-BELT	
730	V-PULLEY	
731	BASE	
903	WHEEL GUARD	
WA-1	1" WIDE ADAPTER & WASHER	
WA-2	2" WIDE ADAPTER & WASHER	
DS-6	DUST SCOOP	
DS-6A	SAFETY DOOR LATCH	
DS-6B	SAFETY DOOR CATCH	