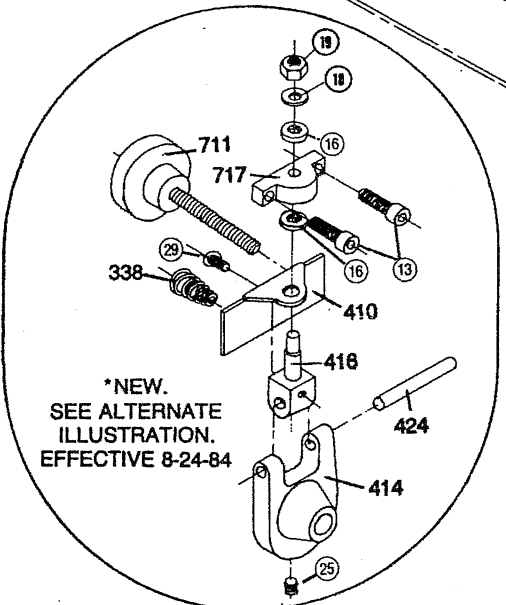
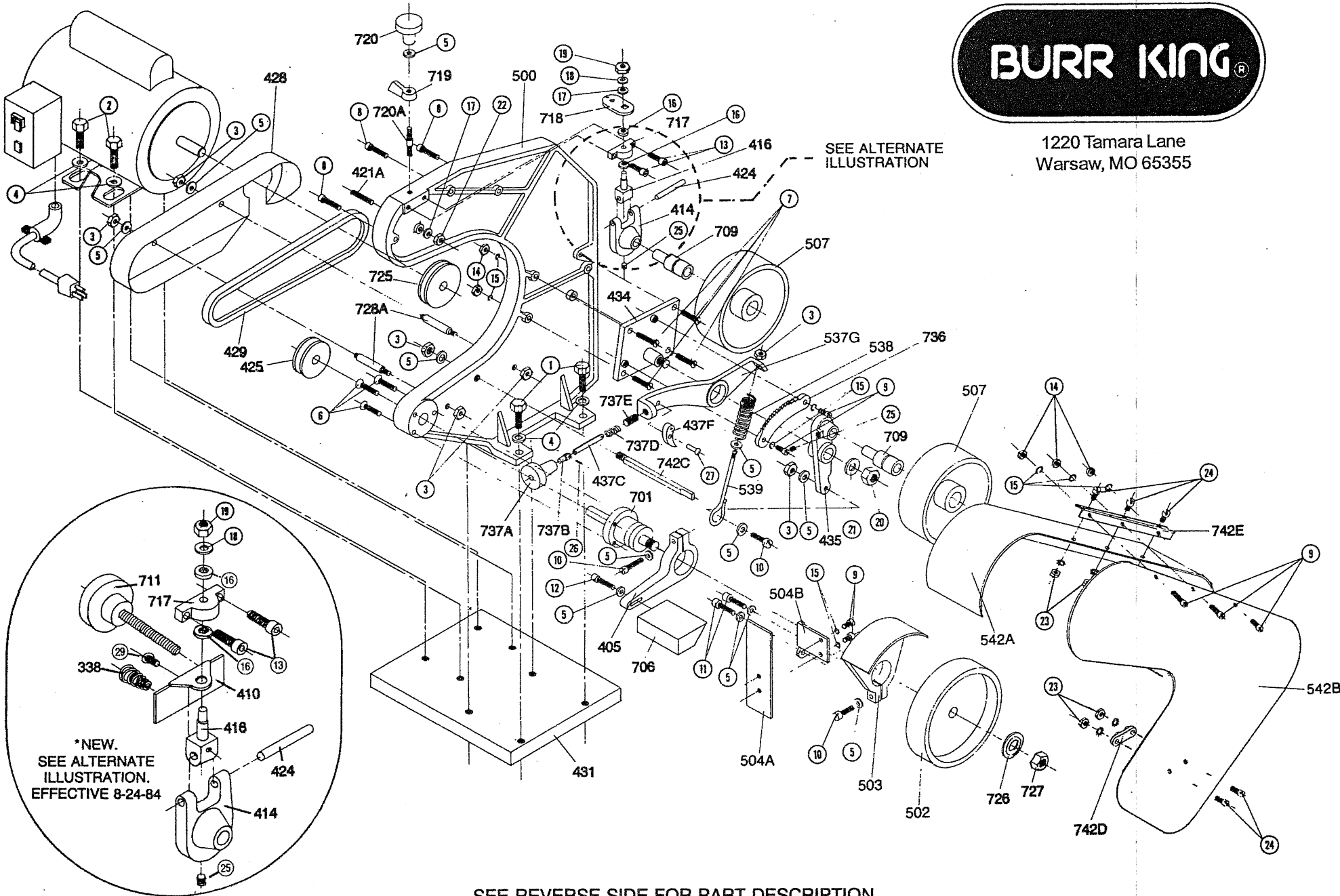


# MODEL NO. 562



1220 Tamara Lane  
Warsaw, MO 65355



SEE REVERSE SIDE FOR PART DESCRIPTION

## MODEL NO. 562

PART #	DESCRIPTION	QUANTITY
1	5/16-18 x 3/4 HH C/S BOLT	4
2	5/16-18 x 1/2 HH C/S BOLT	4
3	1/4-20 JAM NUT	7
4	5/16 USA WASHER	8
5	WASHER AN960-416	13
6	1/4-20 x 1 1/2 FILL HD M/S	3
7	10-24 x 1 1/2 FILL HD M/S	4
8	10-24 x 1 1/4 FILL HD M/S	4
9	10-24 x 1/2 FILL HD M/S	7
10	1/4-20 x 1 FILL HD M/S	3
11	1/4-20 x 3/4 FILL HD M/S	2
12	1/4-20 x 1 1/4 FILL HD M/S	1
13	10-24 x 3/4 SOC CAP SCREW	2
14	10-24 JAM NUT	11
15	#10 LOCK WASHER	11
16	WASHER AN960-716	2
17	WASHER AN960-616	2
18	WASHER AN960-516	1
19	5/16-24 ESNA NUT	1
20	1/2-20 ESNA NUT 21 NTE 080	1
21	1/2 WASHER	1
22	3/8-16 JAM NUT	1
23	6-32 KEP NUT	5
24	6-32 x 3/8 PAN HEAD M/S	5
25	5/16-18 x 3/8 SOC SET SCREW	2
26	3/32 x 3/8 ROLL PIN	1
27	#8 x 5/8 DRIVE SCREW	1
28	#0 x 1/4 DRIVE SCREW	1
	10-32 x 1/2 BUTTON HD SOC SCREW	1

PART #	DESCRIPTION
500	MAIN PLATE
701	CONTACT WHEEL BEARING ASSEMBLY
502	CONTACT WHEEL
503	CONTACT WHEEL GUARD
504	BACKUP ASSEMBLY
504A	BACKUP PLATEN
504B	BACKUP BRACKET
405	WORKREST SUPPPORT
706	WORKREST
507	IDLER WHEEL
709	IDLER WHEEL BEARING
414	UPPER WHEEL BEARING SUPPORT
416	UPPER WHEEL SWIVEL
717	UPPER WHEEL SWIVEL HOLDER
718	UPPER WHEEL SWIVEL LINK
719	UPPER WHEEL ADJUSTING ECCENTRIC
720	UPPER WHEEL LOCKING KNOB
720A	UPPER WHEEL LOCKING KNOB STUD
421A	UPPER WHEEL ADJUSTING SET SCREW
424	PIN, UPPER WHEEL BEARING SUPPORT
425	V-PULLEY
726	OUTER WHEEL FLANGE
727	CONTACT WHEEL BEARING NUT
428	V-BELT GUARD
728A	V-BELT GUARD STUDS
429	V-BELT
725	MOTOR PULLEY
431	BASE
434	REAR WHEEL ASSEMBLY BASE
435	REAR WHEEL BEARING SUPPORT
736	REAR WHEEL SECTOR
537	REAR WHEEL HANDLE ASSEMBY COMPLETE
737A	REAR WHEEL HANDLE KNOB
737B	REAR WHEEL HANDLE BUTTON
437C	REAR WHEEL HANDLE STRIP
737D	REAR WHEEL HANDLE SPRING
737E	REAR WHEEL HANDLE PIPE NIPPLE
437F	REAR WHEEL HANDLE PAWL
537G	REAR WHEEL HANDLE
538	REAR WHEEL SPRING
539	REAR WHEEL SPRING GUIDE
542	SAFETY BELT GUARD COMPLETE
542A	SAFETY GUARD CASTING
542B	SAFETY GUARD DOOR
742L	SAFETY GUARD DOOR LATCH (MALE)
742D	SAFETY GUARD DOOR LATCH (FEMALE)
742E	SAFETY GUARD DOOR HINGE
*410	TRACKING BRACKET
*711	TRACKING KNOB
*338	TRACKING SPRING

\*NEW. SEE ALTERNATE ILLUSTRATION. EFFECTIVE 8-24-84