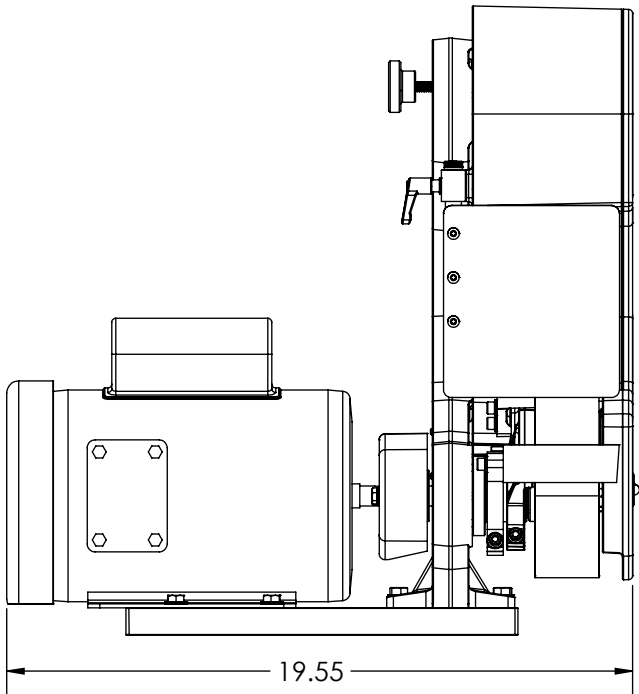


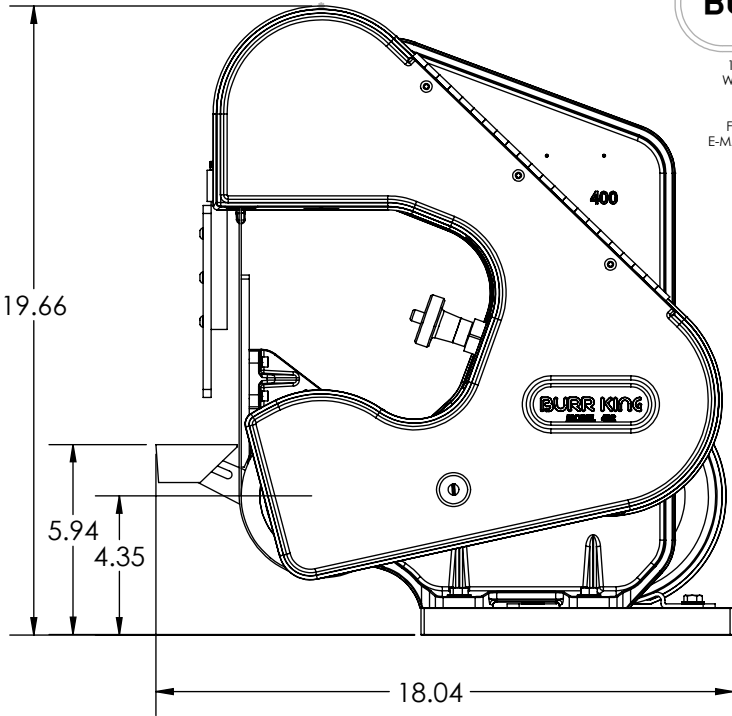
MODEL 482-1 FOOTPRINT

BURR KING

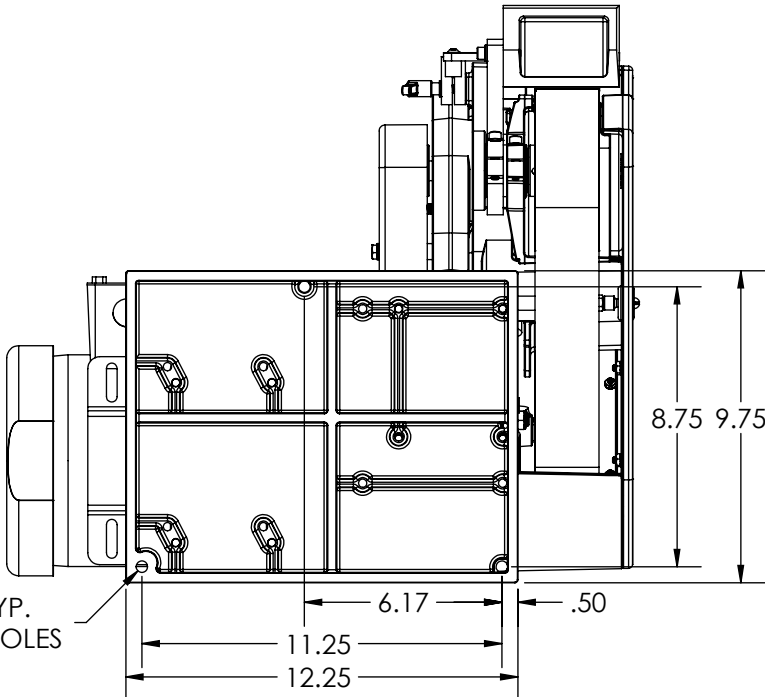
1220 TAMARA LANE
 WARSAW, MO 65355
 PH: 660-438-8998
 800-621-2748
 FAX: 660-438-8991
 E-MAIL: info@burrking.com



FRONT VIEW



SIDE VIEW



BOTTOM (BASE) VIEW

