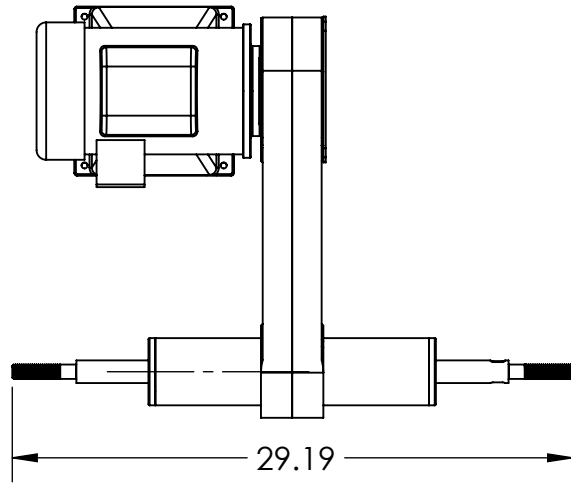


NOTES:

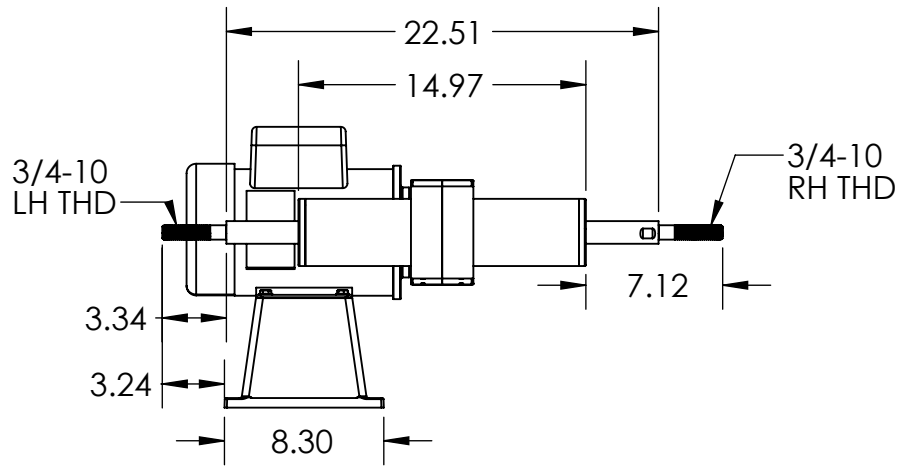
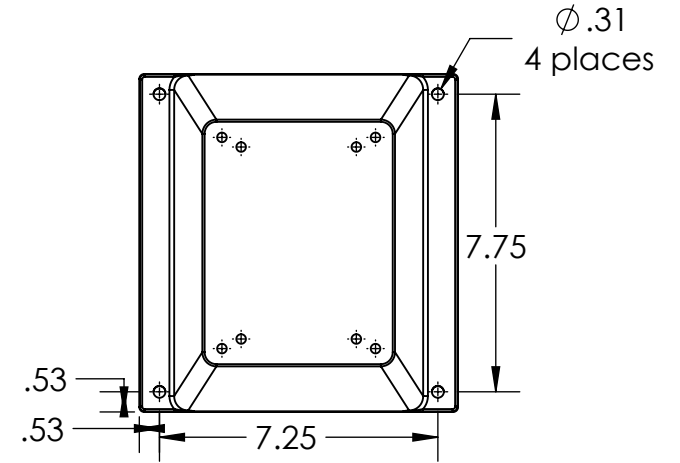
- 1) All dims are approx
Since your motor may be different
center line dims are given

M1001
FOOT PRINT

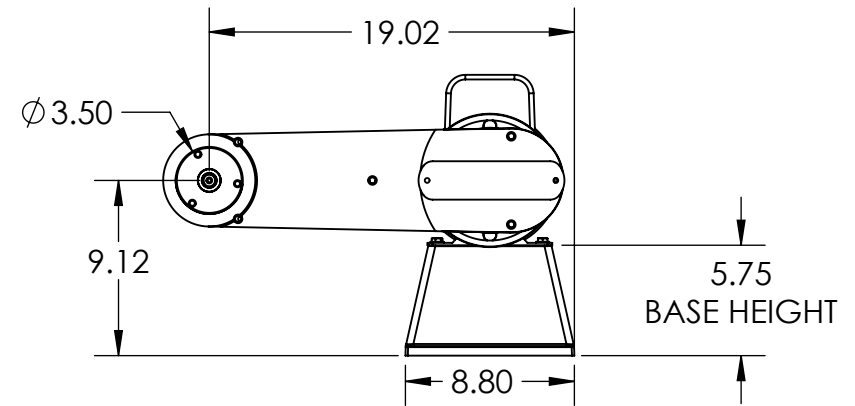
MOUNTING PATTERN



TOP VIEW



FRONT VIEW



RIGHT SIDE VIEW

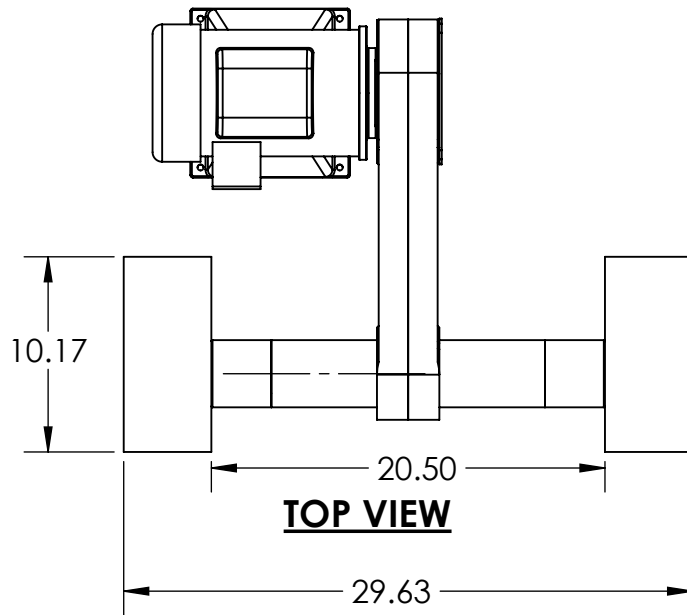
BURR KING		1220 TAMARA LANE WARSAW, MO 65355	
		PH: 660-438-8998 800-621-2748 FAX: 660-438-8991 E-MAIL: info@burrking.com	
TITLE:		SHEET	1 OF 1
PART NO.	1001	REV.	A
DATE DRAWN:			

NOTES:

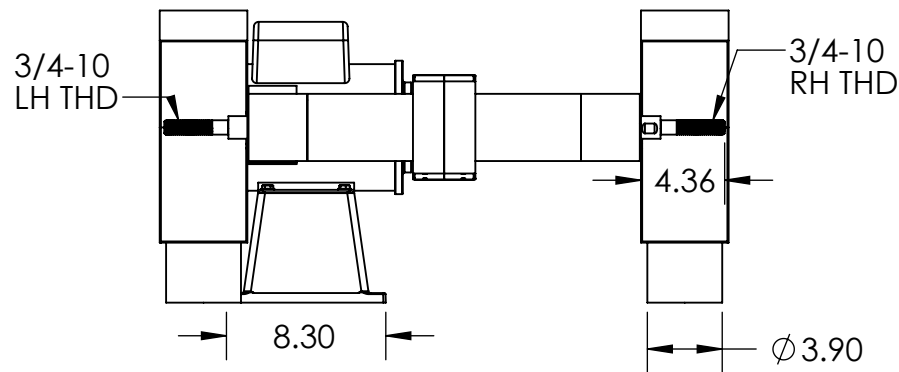
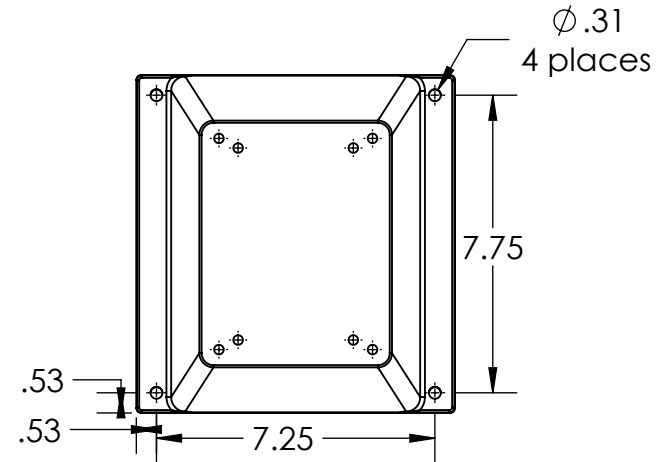
- 1) All dims are approx
Since your motor may be different
center line dims are given

M1001
FOOT PRINT

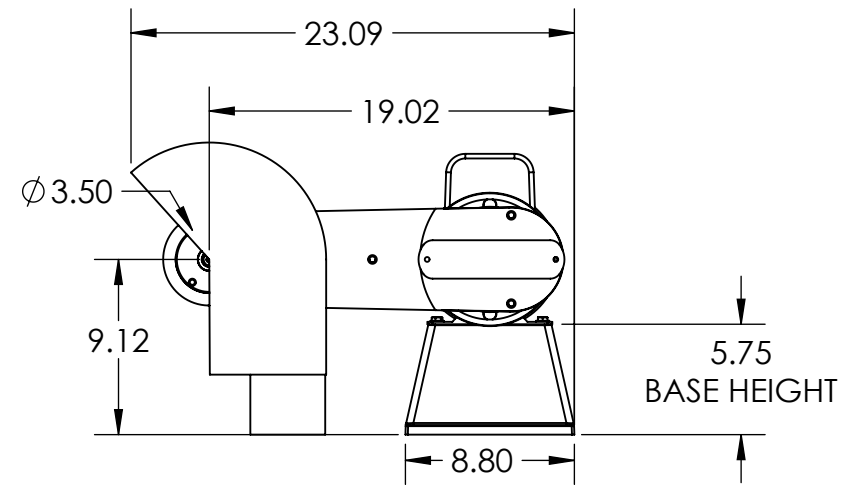
MOUNTING PATTERN



TOP VIEW



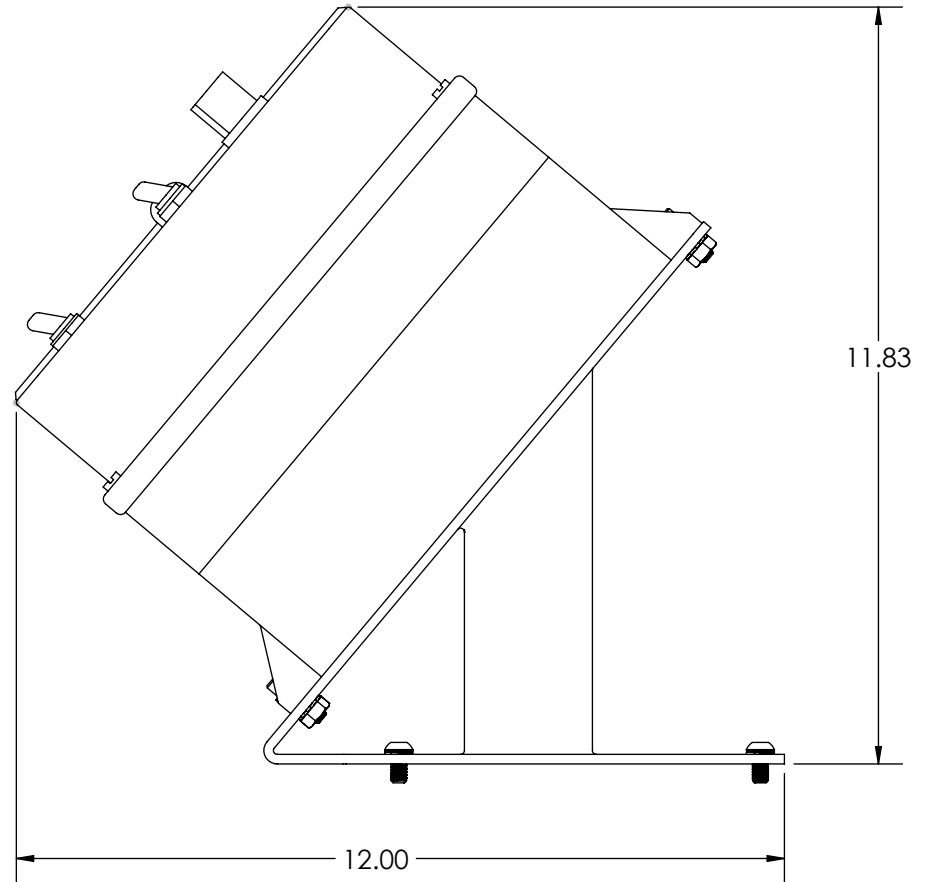
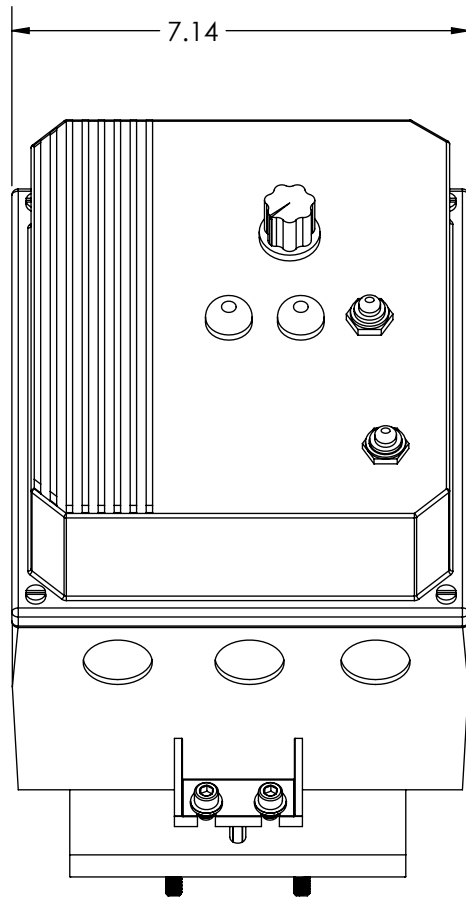
FRONT VIEW



RIGHT SIDE VIEW

		1220 TAMARA LANE WARSAW, MO 65355 PH: 660-438-8998 800-621-2748 FAX: 660-438-8991 E-MAIL: info@burking.com	
		TITLE:	SHEET 1 OF 1
PART NO.	1001 w DS	REV.	A
DATE DRAWN:			

M1001 SPEED CONTROL DIMENSIONS



1220 TAMARA LANE
WARSAW, MO 65355
PH: 660-438-8998
800-621-2748
FAX: 660-438-8991
E-MAIL: info@burrking.com