



**BURR KING MFG. CO., INC**

1220 Tamara Lane

Warsaw, MO 65355

www.burrrking.com

(660)438-8998 • 800-621-2748

Fax (660)438-8991

*2021  
Design*

# MODEL 720 INSTRUCTION MANUAL MANUAL OR AIR TENSION



*Model 16110A  
Air Tension System*



*Model 16110M  
Manual Tension System*



# BURR KING MODEL 720 TWO WHEEL PROBE GRINDER



**BURR KING MFG. CO., INC.**

1220 TAMARA LANE

WARSAW MO 65355

WWW.BURRKING.COM

**(660) 438-8998 ♦ (800) 621-2748**

**FAX (660) 438-8991**

October 2021

**Burr King Manufacturing Company, Inc. warrants the below product to be free of defects in material and workmanship. The period of warranty is 1 year (90 days for vibratory bowls of 20 quart and lesser volume) from the date of purchase. No warranty is provided for products that have been modified, abused, handled carelessly, where repairs have been made or attempted by others, or for freight damage. No warranty is provided for three phase electric motors, controllers, etc. when the motors, controllers are not protected by magnetic starters that were supplied and installed by Burr King Manufacturing Company, Inc. No other warranty, written or verbal is authorized by Burr King Manufacturing Company, Inc.**

During the warranty period Burr King Manufacturing Company, Inc (or its authorized suppliers or agents) will replace or repair the below product without charge if the product is found by Burr King Manufacturing Company, Inc. to be defective. To receive warranty services you must contact Burr King Manufacturing Company, Inc. and receive authorization for warranty service. Unless otherwise authorized by Burr King Manufacturing Company, Inc. Products (see \* below) must be returned to the factory to receive warranty service.

\*Motors, speed controllers, and certain other accessories are warranted by their respective manufacture. To receive warranty service on these items you must contact a brand label service center that supports the product in need of service. Burr King Manufacturing Company; Inc. will assist you in locating a service center.

**For the first thirty days after purchase, and when Burr King Manufacturing Company, Inc. authorizes warranty service, we will pay normal and necessary surface freight charges both ways (except for items in \*). After thirty days the customer is responsible for all freight charges. Where possible Burr King Manufacturing Company, Inc. may elect to make on site service and/or repairs necessary to return the product to serviceable condition.**

---

To assure prompt warranty service it is necessary that you complete and return the below warranty information to Burr King Manufacturing Company, Inc. please **FAX** or **MAIL** at your convenience.

Product model: \_\_\_\_\_ Serial number: \_\_\_\_\_  
Date Purchased: \_\_\_\_\_ Purchased from: \_\_\_\_\_  
Address: \_\_\_\_\_ City: \_\_\_\_\_ State/Prov: \_\_\_\_\_ Postal code \_\_\_\_\_

Your company name: \_\_\_\_\_  
Address: \_\_\_\_\_ City: \_\_\_\_\_ State/Prov: \_\_\_\_\_ Postal code \_\_\_\_\_  
Phone: \_\_\_\_\_ Fax: \_\_\_\_\_ Email: \_\_\_\_\_  
Your name: \_\_\_\_\_ Title: \_\_\_\_\_

How did you learn about Burr King products?

Tradeshaw \_\_\_ Web \_\_\_ Industrial Distributor \_\_\_ Advertisement \_\_\_ Other \_\_\_\_\_ Which one: \_\_\_\_\_

What is the intended use of this product? \_\_\_\_\_

Please indicate the general work types performed at your company, check all that apply:

Fabrication \_\_\_ Machining \_\_\_ Casting \_\_\_ Molding \_\_\_ Welding \_\_\_ Finishing \_\_\_ Assembly \_\_\_ Research \_\_\_ Other \_\_\_

Please indicate the primary product focus of your company; check all that apply,

Aircraft/Missile \_\_\_ Automotive \_\_\_ Contract machine \_\_\_ Contract Fabrication \_\_\_ Agricultural \_\_\_ Maintenance \_\_\_ Recreational \_\_\_

Job shop \_\_\_ Foundry \_\_\_ Construction \_\_\_ Arts \_\_\_ Orthopedic \_\_\_ Dental \_\_\_ Medical \_\_\_ Other \_\_\_\_\_

Please tell us what we can do to improve our products:

\_\_\_\_\_  
\_\_\_\_\_

May we contact you? Yes \_\_\_ No \_\_\_

**Thank you for purchasing Burr King products!**

**REGISTER ONLINE @  
WWW.BURRKING.COM**



**BURR KING MFG. CO., INC.**  
1220 TAMARA LANE  
WARSAW MO 65355  
WWW.BURRKING.COM  
**(660) 438-8998 ♦ (800) 621-2748**  
**FAX (660) 438-8991**

October 18, 2021

## **LETTER OF AUTHENTICITY**

This letter is to certify that all Burr King Belt grinders, Disc grinders, Polishing machines Vibra King Chambers and Bowls are manufactured and assembled in the United States of America.

(Tariff number 847990 criterion A)

A handwritten signature in black ink, appearing to read "Don MacCarthy".

**Don MacCarthy**

President

# M720 Important Safety Instructions OPERATOR, and OPERATING AREA SAFETY



**WARNING!**

WHEN USING ELECTRIC TOOLS, BASIC SAFETY PRECAUTIONS SHOULD ALWAYS BE FOLLOWED TO REDUCE RISK OF FIRE, ELECTRIC SHOCK AND PERSONAL INJURY.

## **READ AND SAVE ALL INSTRUCTIONS FOR FUTURE REFERENCE**

Subject equipment includes Grinders, buffers, polishers, and other rotating equipment. Serious injury or death may occur if minimum safety precautions are not understood, and obeyed by operators and those other persons who may be in the immediate vicinity of the subject equipment. Persons who operate, or are in the immediate vicinity of the subject equipment must be properly trained in, and use, minimum safety precautions and procedures for such machinery.

### **1. READ ALL INSTRUCTIONS**

- Read and understand all operating instruction, manuals, labels, and other information provided with the equipment.

### **2. KEEP WORK AREA CLEAN**

- Cluttered areas and benches invite injuries.

### **3. CONSIDER WORK AREA ENVIRONMENT**

- Do Not expose power tools to rain
- Do Not use grinder in damp or wet locations.
- Keep work area well lit.
- Do Not use grinder in presence of flammable liquids or gases

### **4. GUARD AGAINST ELECTRICAL SHOCK**

- Prevent body contact with grounded surfaces. For example: pipes, radiators. Disconnect from power source when not in use. Never use if electrical cord is damaged or wet. Always keep electrical cords clear of rotating parts and belt while in motion. Electrical installation shall be in accordance with applicable codes and regulations.

### **5. KEEP CHILDREN AWAY**

- Do Not let visitors contact tool or cord
- All visitors should be kept away from work area

### **6. DRESS PROPERLY**

- Do Not wear loose clothing or jewelry.
- Non-Skid footwear is recommended when working with equipment.
- Wear protective hair coverings to contain long hair.
- Wear proper attire to protect eye, hand, face, arm, leg, feet and body that is adequate to protect against flying debris, forcibly ejected work pieces, broken abrasive belts, ect.

### **7. USE SAFETY GLASSES**

- Everyday eyewear does not feature impact resistance lenses, and they are NOT safety glasses

### **8. WEAR DUST MASK**

- Some dust created by grinding activities may contain chemicals known to cause cancer, birth defects or other harm. Provide adequate ventilation.

## **9. SPARK AND DEBRIS ARRESTING APPARATUS**

- To further reduce the exposure you may wish to connect an apparatus to the machine to contain dust and debris/spark arresting device to suppress sparks thereby limiting human inhalation risk, and risk of fire or explosion

## **10. KEEP ALL GUARDS IN PLACE AND PROPERLY ADJUSTED**

- Keep all guards in place and in working order.
- Do not reach inside the safety guards while the machine is running.
- Never position the work rest table at an acute angle between the top of the work rest table and the moving belt or wheel. Doing so will create “nip point” that can cause serious injury should an operators body part become entangled (pulled into) the nip point created by this acute angle.
- Do not operate this machine if the gap between the moving abrasive belt, disc or wheel and the adjacent face of the work rest (or table) will permit passage of the work piece through the gap (nip point). Note, however, that certain alloys such as titanium may create conditions where grinding debris can accumulate in a tight gap creating a potential fire hazard. When in doubt consult with your safety officer. Failure to observe this warning may result in the work piece or other item being caught in this gap. And/or being forcibly ejected. Failure to heed this warning may cause serious bodily harm to the operator and/or bystanders. Never use this equipment if you are not properly trained in its operation and/or safe use. If in doubt stop and ask for guidance.

## **11. SECURE THE M720**

- Bolt the machine securely to the stand or other stable surface to avoid tipping when unit is in operation.

## **12. BEFORE SERVICING**

- Disconnect the grinder from the power source.

## **13. NEVER LEAVE TOOL RUNNING UNATTENDED**

- Turn power off. Don't leave until the grinder comes to a complete stop.

## **14. DO NOT USE NEAR FLAMMABLE MATERIALS**

- Sparks from the grinder can cause fires.

## **15. HOLD MATERIAL TIGHTLY**

- Always hold the work piece firmly when grinding and apply steady pressure.
- Use work piece holding devices when ever possible that diminish the possibility that persons will come in contact with moving machine pieces, or spark/debris output from the machine.

## **16. DO NOT USE DAMAGED WHEELS OR BELTS**

- Wheels or belts that show wear should be discarded.

## **17. KNOW WHAT YOUR GRINDING**

- Avoid mixing different metals, alloys, and materials. To mix such materials might create a fire or explosion hazard
- Exotic materials such as titanium, magnesium, and other chemically active materials will present fire and explosion hazards that if ignored can result in grave personal injury and/or property damage.
- Consult with your material supplier or other qualified expert regarding the materials on which you wish to work.

## **18. KEEP MACHINE MAINTAINED**

- Ensure wheels are in good condition and are free from damage. If damaged parts are found, immediately discontinue use of the machine and order replacement parts.
- Never perform maintenance on the machine with its electrical power source connected.

## **19. OCCUPATIONAL NOISE EXPOSURE**

Burr King products produce levels of noise consistent with their intended purposes. The level and spectral content of noise produced is dependent on the product type, the degree that the product is maintained in proper operating condition, the abrasive/media and accessories used, the specific application, and the surrounding environment. Noise levels produced by

various Burr King grinders and polishers, as measured at the Burr King factory, range from 80 to 93 decibels. Product operators and persons in the immediate product vicinity should be protected from excessive noise levels as prescribed in OSHA regulation 29, piece 1910.95 titled "Occupational Noise Exposure".

## **20. TRAINING**

- Do train operators and others in safe operating practices
- Post these instructions so they are available for future reference and new operators.

**ROTATING EQUIPMENT CAN BE DANGEROUS TO OPERATORS AND THOSE WHO MAY BE IN ITS IMMEDIATE OPERATING VICINITY. IT IS THE ABSOLUTE AND DIRECT RESPONSIBILITY OF PURCHASERS, MANAGERS, AND OPERATORS OF THIS EQUIPMENT TO UNDERSTAND AND OBEY THE FOREGOING MINIMUM OPERATING SAFETY REQUIREMENTS. IF YOU HAVE QUESTIONS OR SAFETY CONCERNS REGARDING OPERATING THE SUBJECT EQUIPMENT PLEASE CALL YOUR AUTHORIZED BURR KING DISTRIBUTOR, OR BURR KING MANUFACTURING AT 660-438-8998. YOUR SAFETY IS OUR FOREMOST CONCERN!**

**Burr King Manufacturing disclaims any and all responsibility for injuries, damage, loss of income, or other adverse consequence as might be incurred by purchasers, managers, and operators of this equipment.**



**BURR KING MFG. CO., INC.**

1220 TAMARA LANE

WARSAW MO 65355

WWW.BURRKING.COM

**(660) 438-8998 • (800) 621-2748**

**FAX (660) 438-8991**

October 2021

## Operating instructions for the Model 720 Probe Grinder

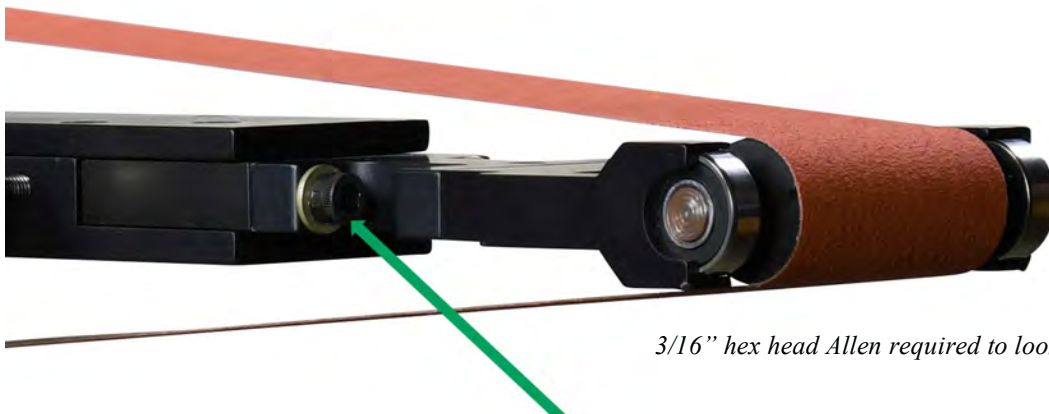
The Model 720 belt grinder is a two-wheel path belt grinder that uses a 2 x 72-inch continuous loop abrasive belt. For maximum effectiveness, and operator safety use abrasive belts manufactured by well-respected abrasive manufacturers.

- \* Use abrasive belts that are the proper size and type for your machine.
- \* Do not use abrasive belts that are old and excessively worn.
- \* Do not use abrasive belts that use lap splice joints. This type of belt is prone to separate. It also may tend to snag your work and create a safety hazard. It may also perform poorly.

Your Model 720 may be fixed speed (single or three phase), or variable speed single phase depending on the configuration ordered. Additionally your Model 720 may have manual spring loaded tensioning system or a pneumatic/air tension system. The pneumatic version requires clean air in addition to your electrical requirements. The Model 720 has a 4" O.D. integrated dust collection adapter that will connect to a dust collection system with a recommended minimum capacity of 500 CFPM.

- Use wheels that are the proper size and type for your machine.
- Do not use wheels or belts that are old and/or excessively worn.
- Do not operate in a reverse rotation. The abrasive belt must rotate CCW when viewed from the right side (opposite of the motor).
- Do not exceed the maximum recommended wheel speed (*see speed chart for recommended speeds included in this manual.*)
- Do not use your Model 720 with the factory-supplied guards removed, or with the belt guard door open.

The model 720 will accept front wheels (contact wheels) that are from 9/16 inch in diameter to 4 inches in diameter. The wheels may be inboard or outboard bearings. The belt width may be 1/2, 1, or 2 inches. The belt length is always 72 inches and the belt speed is independent of the contact wheel size. Note that the front wheel attachment is secured to the machine probe by two 1/4-20 Allen cap bolts. Loosen and remove these bolts to remove the adapter that secures the wheel to the extension arm.



*3/16" hex head Allen required to loosen and remove these bolts.*

**Prior to operating the Model 720 please take time to do the following:**

1. Ensure that you have received all of the items that you ordered. Compare the packing slip with your purchase order, and of course with the physical items received.
2. Verify that there is no obvious shipping damage. If shipping damage is discovered notify the freight carrier of your intention to file a freight damage claim; they will assist you.
3. Securely bolt the machine to a table, pedestal, or other mounting location. The base of the model 720 has 4 mounting holes for this purpose. Use grade 5 or better bolts for mounting the machine. If the machine is mounted with the motor shaft other than horizontal use 5/16 bolts or larger. Otherwise use 1/4 inch or larger bolts.
4. Verify that the AC power that is identified on the machine matches the AC power that you intend to operate the machine. In the case your machine is a variable speed or uses a magnetic starter please verify input voltage and do not reference the motor requirements. Do not modify the Model 720 wiring or other electrical controls without the advice of the factory or a competent electrician.
5. Do not modify or defeat any AC wiring safety feature. In example, do not remove the grounding pin on the AC plug.
6. Read the Operator, and Operating Area Safety Instructions carefully. Ensure that all persons who will operate the Model 720, or who will work in the vicinity of the Model 720 read, understand, and comply with these instructions.
7. Ensure that the Model 720 is located in an area that provides safe access to the machine such that operators have clear and unobstructed working space. The workplace should be free from floor obstructions, trip points, and other faults that may reduce operator safety.
8. Ensure that the Model 720 AC power source is properly sized for wire, and properly fused. All wiring, circuit breakers, fuses, and connections must conform to national electrical and local codes.
9. All three phase electrical installations must include a magnetic starter, unless equipped with a variable frequency drive. Magnetic starters protect motors from “double phasing”, overheating, etc. thereby reducing the risk of damage to the equipment and/or fire hazard to your facility. Three phase motors are not warranted if used without a magnetic starter or other suitable device such as a VFD.
10. Pneumatic tensioning systems require a clean air source of at least 45 PSI to the air regulator supplied with the Model 720. **Note:** The air controls that are mounted in the base of the Model 720. The function of each control is described by control labeling. With these controls you can retract the front wheel to remove and install abrasive belts, adjust the speed of probe extension, and adjust the speed of probe retraction. Ordinarily you will not need to adjust the latter two controls.

**CAUTION: The abrasive belt to wheel interface will close quickly so KEEP CLEAR OF THESE INTEFACES WHEN OPERATING THE AIR CONTROLS. NEVER OPERATE THE AIR CONTROLS WHILE THE ABRASIVE BELT IS IN MOTION. FAILURE TO FOLLOW THESE INSTRUCTIONS MAY LEAD TO BODILY INJURY.**



## Functional operating instructions for the Model 720 Probe Grinder

Your Model 720 was fully tested and verified to comply with requirements prior to shipping from the factory. No adjustments should be necessary. You should perform the following steps:

1. Machine securely bolted to its table, pedestal, and/or floor point connect the AC power to its source.
2. Ensure the wheels are firmly tightened to the spindle. Insure that the Model 720 belt operates CCW when viewed from the right side of the machine.
3. Engage the motor. The abrasive belt should rotate smoothly in a CCW direction with the front face of the finishing wheel moving toward the floor. If either of these conditions are not met turn the machine OFF immediately.
4. If the Model 720 runs in reverse direction you must correct this by changing the main drive motor rotation direction.

**FIRST DISCONNECT THE MACHINE FROM ITS AC POWER SOURCE. A COMPETENT ELECTRICIAN SHOULD PERFORM ALL ELECTRICAL WORK ON THE MODEL 720.**

If your Model 720 is equipped with variable speed control the wheel speed can be adjusted using the speed control that will be mounted on the motor or on a separate control box.

## Operating instructions for the Model 720 Probe Grinder – Pneumatic Tension Version

Prior to daily operation follow the steps listed below:

1. Verify the machine is in good working order. Check for unsafe conditions or damaged parts and repair or replace prior to operation. Tag out machine if any issues cannot be resolved.
2. Clean work area and machine. Start with a clean area around the machine
3. Check abrasive belt for damage. Replace if needed.
4. Using the air pressure regulator control located on the incoming air filter assembly adjust the air pressure for air pressure delivery of from 20- 50 PSI. The greater the air pressure, the greater the belt tension.

11. Open the guard door, **RELEASE** the probe and install the abrasive belt. Center the belt on the wheels. Keep clear of the belt and wheels and **ENGAGE** the probe. The probe will move outward and place the belt under tension. **Note:** The air controls that are mounted in the base of the Model 720. The function of each control is described by control labeling. With these controls you can retract the front wheel to remove and install abrasive belts, adjust the speed of probe extension, and adjust the speed of probe retraction. Ordinarily you will not need to adjust the latter two controls.

5. Engage the motor by placing the ON/OFF switch to ON. The belt should rotate smoothly in a CCW direction about the machine wheel belt path as you face the left side of the machine (guard door). If either of these conditions are not met turn the machine OFF immediately.
  - a. If the abrasive belt does not remain centered on the contact wheel adjust belt tracking by using the knob on the left side of the probe. Adjust this screw either CW or CCW as required to center the belt on the belt track. Once this control is adjusted it will seldom require re-adjustment.
  - b. If the machine belt tensions, and tracks properly, but has excessive vibration turn the machine OFF and call the Burr King factory for assistance.



## Operating instructions for the Model 720 Probe Grinder – Manual Tension Version

Prior to daily operation follow the steps listed below:

1. Verify the machine is in good working order. Check for unsafe conditions or damaged parts and repair or replace prior to operation. Tag out machine if any issues cannot be resolved.
2. Clean work area and machine. Start with a clean area around the machine.
3. Check abrasive for damage. Replace if needed.
4. Belt tension is achieved by using the handle on the right side of the machine. To apply belt tension, pull the handle towards the front of the machine. To release tension, pull forward to release the pressure on the pawl, then press the black button and push handle to the rear to release belt tension.
5. Open the guard door, RELEASE the probe and install the abrasive belt. Center the belt on the wheels. Keep clear of the belt and wheels and ENGAGE the probe by using the procedure outlined above. The probe will move outward and place the belt under tension.
6. Engage the motor by placing the ON/OFF switch to ON. The belt should rotate smoothly in a CCW direction about the machine wheel belt path as you face the left side of the machine (guard door). If either of these conditions are not met turn the machine OFF immediately.
  - a. If the abrasive belt does not remain centered on the contact wheel adjust belt tracking by using the knob on the left side of the probe. Adjust this screw either CW or CCW as required to center the belt on the belt track. Once this control is adjusted it will seldom require re-adjustment.
  - b. If the machine belt tensions, and tracks properly, but has excessive vibration turn the machine OFF and call the Burr King factory for assistance.



### **TIP: Nose wheel specifications**

Your M720 can accept wheels that have internal or external bearings. Internal and outboard bearings should be limited in speed and force applied due to small size. Outboard bearing wheels or external bearing wheels allow for wheels as small as 3/16" and use much larger bearings. Small deep groove bearings are capable of RPMs in excess of 50,000 RPM, but load applied on a small bearing must be observed. By limiting speed and applied force bearings will last longer. Use the largest wheel possible for your application for best wheel and bearing life. See small wheel chart in this manual for recommended speeds.

**TIP: Pressure**

Avoid excessive pressure when small wheels with small bearings. Excessive pressure causes premature failure of bearings. Instead of greater pressure, try a belt with more aggressive grit to get the job done using less force.

**Important note about small nose wheel diameters VS motor speed**

The Model 720 is available in fixed and variable belt speed models. The drive wheel of the fixed speed model turns at 3450 RMP, which is a standard electric motor speed. Using nose wheels smaller than 1½ in diameter is not recommended on fixed speed models as the resultant nose wheel rpm may exceed the speed rating of the nose wheel bearings thus shortening wheel life.

Variable speed motor control allows reduction in drive wheel speed thereby reducing the stress on small diameter wheels. For longer nose wheel service life use the following relationships:

| <b>Nose wheel diameter (inches)</b> | <b>Variable speed % of maximum</b> |
|-------------------------------------|------------------------------------|
| 0.5 or less                         | 25%                                |
| 0.6 to 1.0                          | 33%                                |
| 1.1 to 1.5                          | 75%                                |
| 1.6 and larger                      | 100%                               |

The Model 720 will accept nose wheels to 4 inches in diameter.

## **Maintenance procedures for the model 720**

### **FIRST DISCONNECT THE MACHINE FROM ITS AC POWER SOURCE.**

- \* Routinely vacuum or otherwise remove dust and debris build-up from the machine and the machine belt track.
- \* Routinely inspect for loose screws and other hardware. Tighten as required.
- \* Routinely inspect the air pressure assembly bowls for water/oil build up and drain as required using the facilities provided.
- \* There are no other maintenance actions required. All bearings are sealed for life and require no additional lubrication.

---

### **Remember for operator safety and the continued effectiveness of your model 720:**

**Do not defeat the safety guards and other safety provisions of the model 720.**

**Do not operate the model 720 with the safety guard open or the contact wheel guard/platen assembly (or internal grinding attachment) removed.**

**Do not reach inside the safety guards while the machine is running. To do so is hazardous.**

**Do not use fluids in your grinding process unless your model 720 is designed for liquid operation (NEMA 4, 4X). To do so may create an electrical safety hazard.**

**Do not use your model 720 to grind/polish explosive materials such unless it is equipped with explosion proof electrical devices and motor.**

**Do not mix alloys in your grinding. To do so may create an explosion hazard.**

**Do not use stone or vitreous wheels on the model 720. To do so will create an operator safety hazard.**

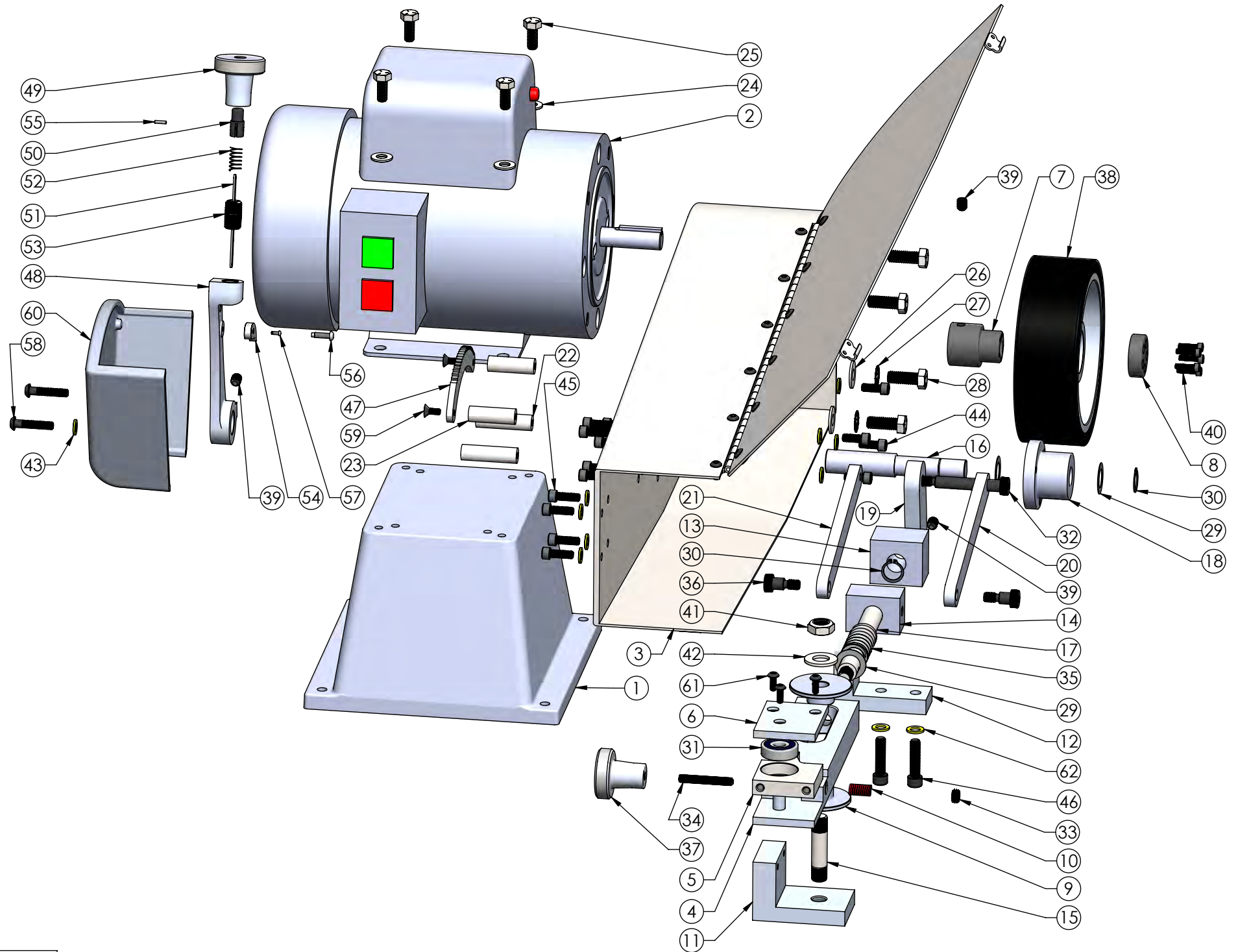
**Do use eye, hand, face, arm, leg, feet and body protection that is adequate to protect against flying debris, forcibly ejected work pieces, broken abrasive belts, etc.**

**Do train operators and others in safe operating practices.**

**Post these or equivalent instructions such they are available for ready operator reference.**

Burr King Manufacturing can help you with problem solutions, and/or answers to your questions. Please call your Burr King distributor first. If you cannot reach satisfactory conclusion please call the Burr King factory, telephone 1-660-438-8998.

# MODEL 720M EXPLODED VIEW

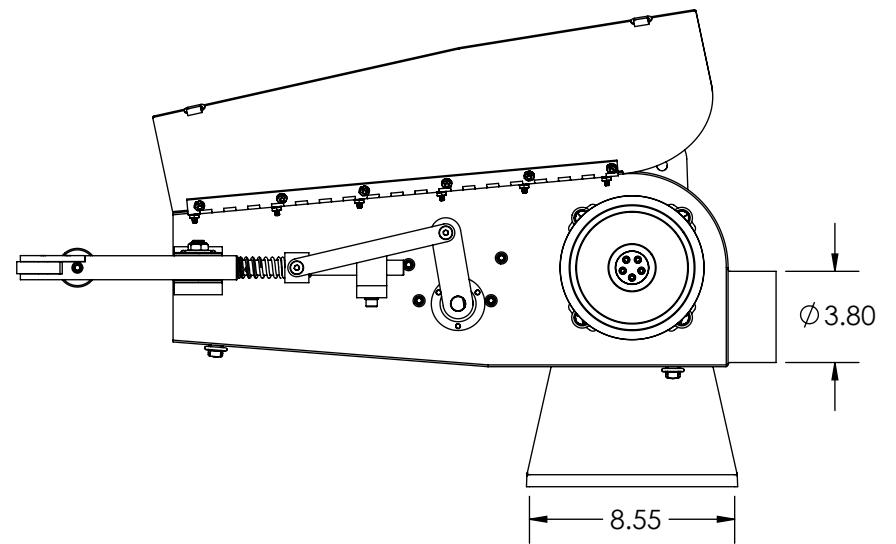
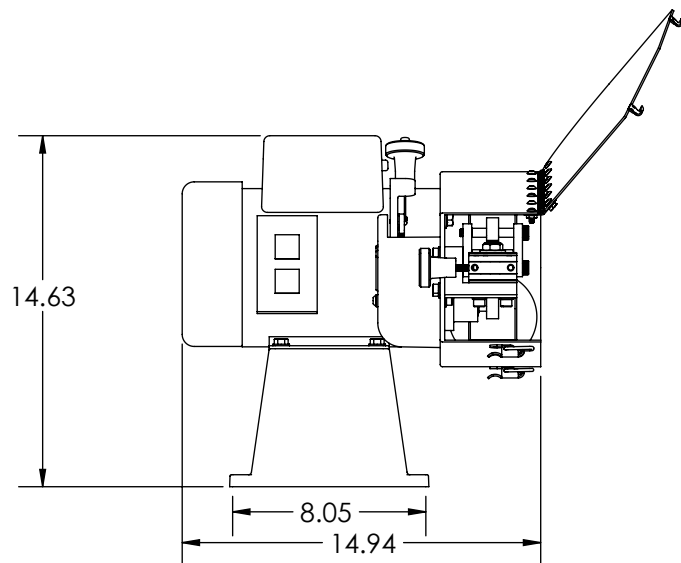
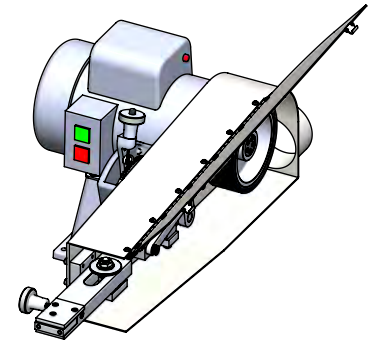
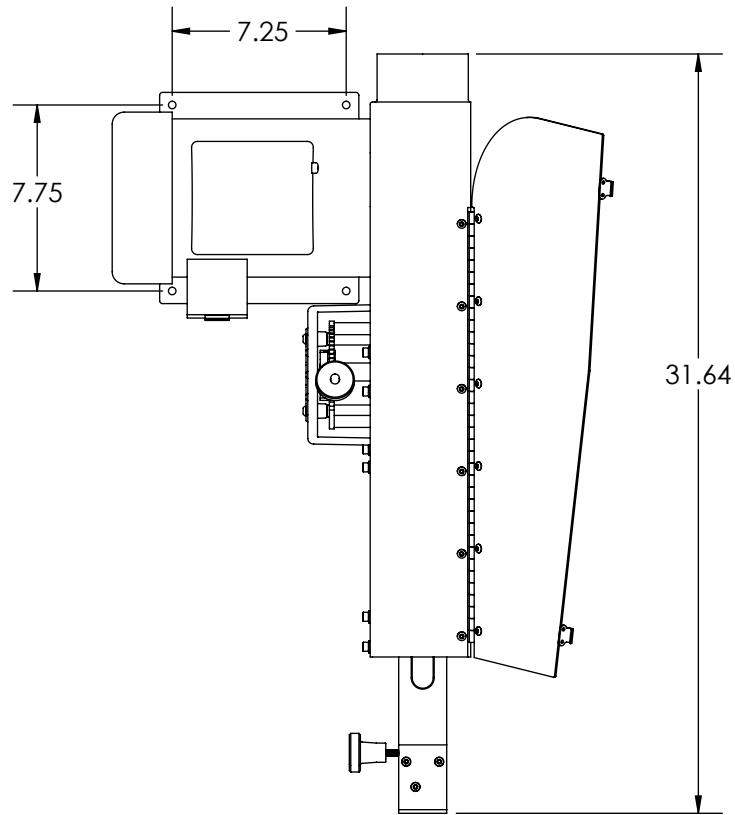


# MODEL 720M PARTS LIST

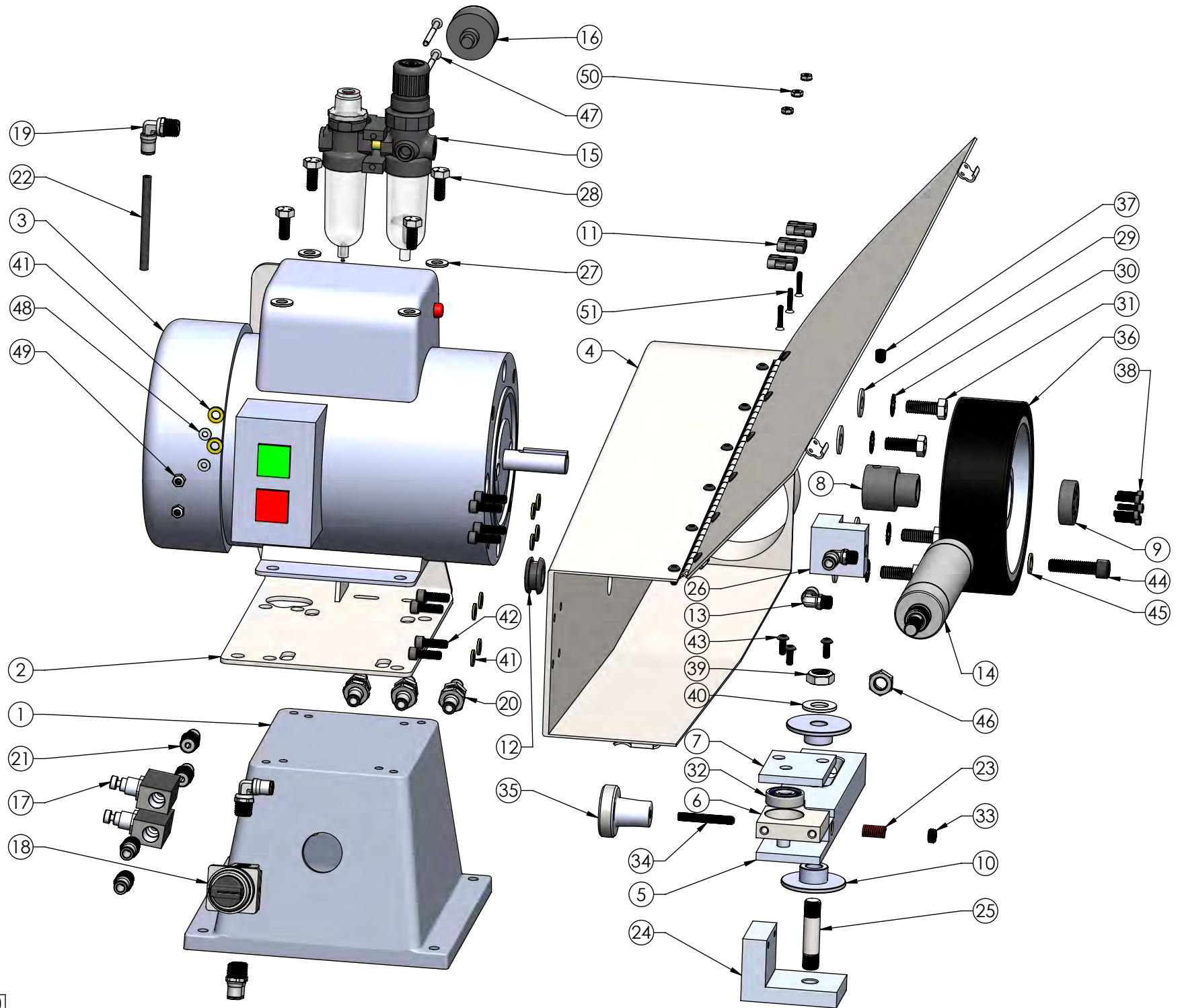
| ITEM NO. | PART NUMBER | DESCRIPTION               | QTY. |
|----------|-------------|---------------------------|------|
| 1        | 941         | BASE-MACHINE              | 1    |
| 2        | 720 MOTOR   | MOTER-CALL FACTORY        | 1    |
| 3        | 7200-2      | FRAME-MAIN                | 1    |
| 4        | 7201-5      | ARM-MAIN SLIDE            | 1    |
| 5        | 7201-6      | PIVOT-TRACKING            | 1    |
| 6        | 7201-7      | COVER-TRACKING            | 1    |
| 7        | 7202A       | ADAPTOR, WHEEL            | 1    |
| 8        | 7202B       | ADAPTOR, CAP              | 1    |
| 9        | 7203        | GLIDE-DELRIN              | 2    |
| 10       | 7221        | SPRING-TRACKING           | 1    |
| 11       | 7225        | BASE-GLIDE                | 1    |
| 12       | 7226        | BASE-GUIDE                | 1    |
| 13       | 7227        | BUSHING-GUIDE             | 1    |
| 14       | 7228        | ACTUATOR-PUSH/PULL        | 1    |
| 15       | 7229        | STUD-GLIDE                | 1    |
| 16       | 7230        | SHAFT-ACTUATOR            | 1    |
| 17       | 7231        | SHAFT-GUIDE               | 1    |
| 18       | 7232        | HOUSING-ACTUATOR          | 1    |
| 19       | 7233        | LEVER-ACTUATOR            | 1    |
| 20       | 7234        | LINK-ACTUATOR RH          | 1    |
| 21       | 7235        | LINK-ACTUATOR LH          | 1    |
| 22       | 7236        | STANDOFF-GUARD            | 2    |
| 23       | 7237        | STANDOFF-SECTOR           | 2    |
| 24       | 4           | WASHER 5/16 SAE           | 4    |
| 25       | 37          | CAPSCREW 5/16-18 X 3/4    | 4    |
| 26       | 5-0023      | WASHER-FLAT 5/16 USS      | 4    |
| 27       | 5-0014      | WASHER 3/8 INTERNAL STAR  | 4    |
| 28       | 1-0001      | CAPSCREW 3/8-16 x 1 GR. 5 | 4    |
| 29       | 5-0056      | SHIM-ARBOR 5/8 x 1 x .02  | 3    |
| 30       | 701F        | CIRCLIP 5/8               | 2    |
| 31       | 202B        | BALL BEARING-M10xM30      | 1    |

| ITEM NO. | PART NUMBER | DESCRIPTION                 | QTY. |
|----------|-------------|-----------------------------|------|
| 32       | 2-0070      | S.B. 3/8 x 2 1/8            | 1    |
| 33       | 7-0070      | SET SCREW 7/16-14 x 7/32 HL | 1    |
| 34       | 7-0071      | SET SCREW 1/4-28 x 1 3/4 CP | 1    |
| 35       | 626         | SPRING-BELT TENSION         | 1    |
| 36       | 1-0040      | 3/8 x 3/8 S.B.              | 2    |
| 37       | 720-1       | KNOB-TRACKING               | 1    |
| 38       | 707EXM      | WHEEL-IDLER                 | 1    |
| 39       | 25          | SET SCREW 5/16-18 X 3/8 CP  | 3    |
| 40       | 2-0038      | SHCS 8-32 x 5/8             | 5    |
| 41       | 20          | NUT-NYLOK JAM 1/2-20        | 1    |
| 42       | 21          | WASHER, 1/2 SAE PLTED       | 1    |
| 43       | 5           | WASHER 1/4 AN960-416        | 17   |
| 44       | 2-0013      | SHCS 1/4-20 X 5/8           | 7    |
| 45       | 209         | SHCS 1/4-20 X 3/4           | 8    |
| 46       | 208         | SHCS 5/16-18 x 1 1/4        | 2    |
| 47       | 736-1       | SECTOR-BELT TENSION         | 1    |
| 48       | 7600-737G   | HANDLE, QUICK CHANGE        | 1    |
| 49       | 737A        | KNOB, HANDLE                | 1    |
| 50       | 737B        | BUTTON                      | 1    |
| 51       | 737C        | STRIP, HANDLE               | 1    |
| 52       | 737D        | SPRING, BUTTON              | 1    |
| 53       | 737E        | NIPPLE, 1/4 CLOSE           | 1    |
| 54       | 737F        | PAWL                        | 1    |
| 55       | 26          | PIN, ROLL 3/32 x 3/8        | 1    |
| 56       | 27          | SCREW, DRIVE, #8 X 5/8      | 1    |
| 57       | 28          | SCREW, DRIVE, #2 x 1/4      | 1    |
| 58       | 31-1        | BHSHCS 1/4-20 X 1 1/4       | 2    |
| 59       | 7-0055      | 10-24 x 1/2 FHSHCS          | 2    |
| 60       | 7600-740    | COVER-QUICK CHANGE          | 1    |
| 61       | 9           | BHSHCS 10-24 X 1/2          | 3    |
| 62       | 18          | WASHER, 960-516, AN         | 2    |

# MODEL 720M FOOTPRINT



# MODEL 720A EXPLODED VIEW



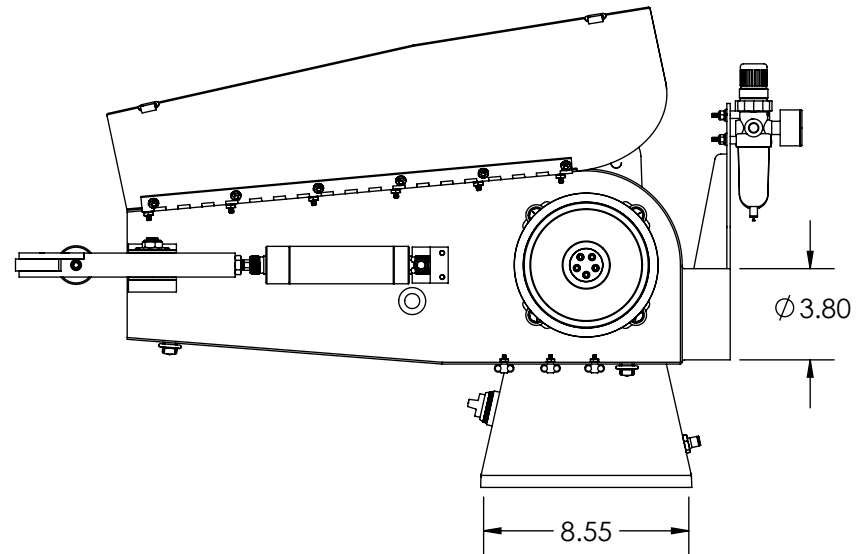
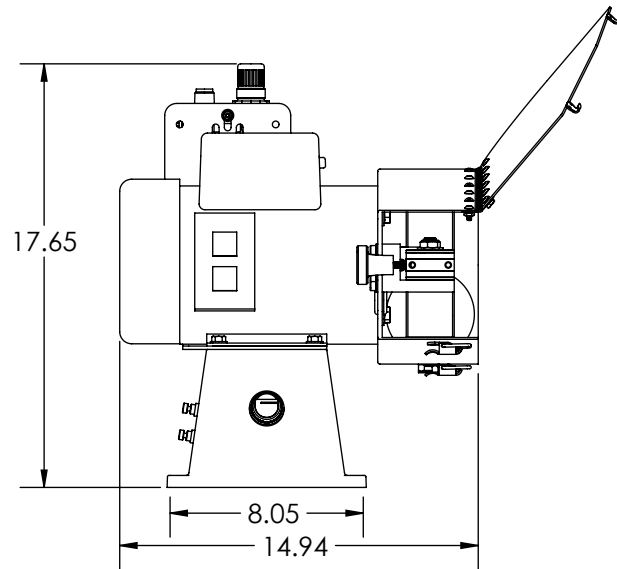
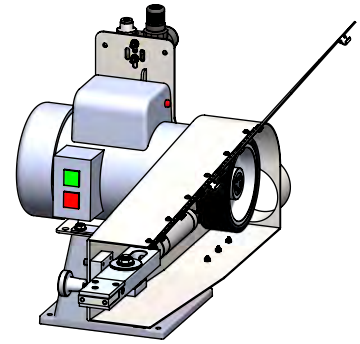
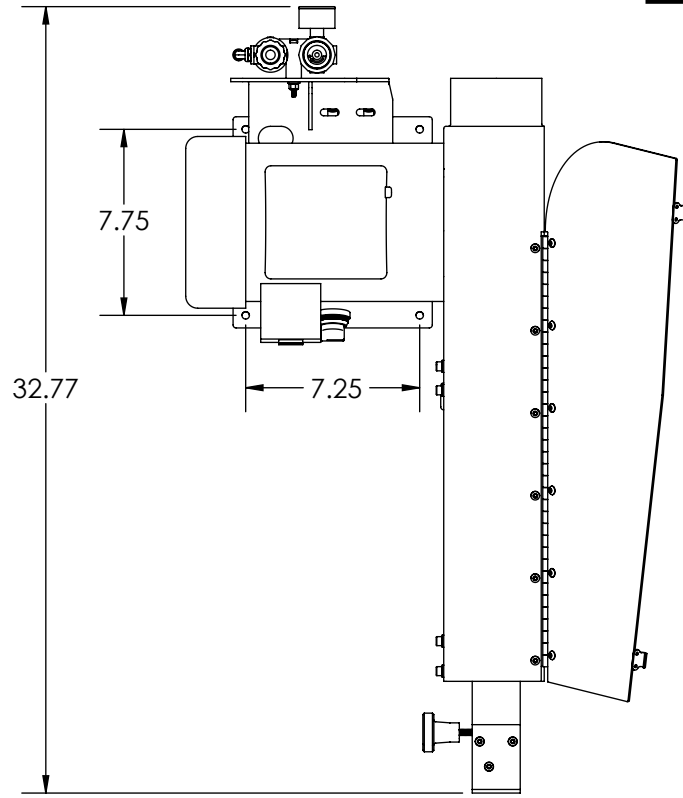


# MODEL 720A PARTS LIST

| ITEM NO. | PART NUMBER | DESCRIPTION                     | QTY. |
|----------|-------------|---------------------------------|------|
| 1        | 941-1       | BASE, CONTROL MOUNT             | 1    |
| 2        | MB4C-720    | BRACKET-MOUNTING                | 1    |
| 3        | 720 MOTOR   | MOTER-CALL FACTORY              | 1    |
| 4        | 7200-3      | FRAME-MAIN                      | 1    |
| 5        | 7201-5      | ARM-MAIN SLIDE                  | 1    |
| 6        | 7201-6      | PIVOT-TRACKING                  | 1    |
| 7        | 7201-7      | COVER-TRACKING                  | 1    |
| 8        | 7202A       | ADAPTOR, WHEEL                  | 1    |
| 9        | 7202B       | ADAPTOR, CAP                    | 1    |
| 10       | 7203        | GLIDE-DELFIN                    | 2    |
| 11       | 7204        | STRAP-TUBING 1/4                | 3    |
| 12       | 7205-1      | GROMMET-7/8                     | 1    |
| 13       | 7209        | FITTING- 90 DEG. 1/8 NPT x 1/4T | 2    |
| 14       | 7210        | CYLINDER-AIR                    | 1    |
| 15       | 7211        | REGULATOR/OILER-AIR             | 1    |
| 16       | 7211-1      | GUAGE-PRESSURE 1 1/2"           | 1    |
| 17       | 7212        | VALVE-FLOW CONTROL              | 2    |
| 18       | 7213        | VALVE-SELECTOR                  | 1    |
| 19       | 7214        | FITTING-90 DEG 1/4 NPT x 1/4T   | 2    |
| 20       | 7215        | FITTING-BULKHEAD 1/4T x 1/4T    | 3    |
| 21       | 7217        | FITTING-ST. 1/4 NPT x 1/4T      | 6    |
| 22       | 7219        | TUBING-AIR 1/4 x 1/8            | 1    |
| 23       | 7221        | SPRING-TRACKING                 | 1    |
| 24       | 7225        | BASE-GLIDE                      | 1    |
| 25       | 7229        | STUD-GLIDE                      | 1    |
| 26       | 7238        | BASE-CYLINDER                   | 1    |

| ITEM NO. | PART NUMBER | DESCRIPTION                 | QTY. |
|----------|-------------|-----------------------------|------|
| 27       | 4           | WASHER 5/16 SAE             | 4    |
| 28       | 37          | CAPSCREW 5/16-18 X 3/4      | 4    |
| 29       | 5-0023      | WASHER-FLAT 5/16 USS        | 4    |
| 30       | 5-0014      | WASHER 3/8 INTERNAL STAR    | 4    |
| 31       | 1-0001      | CAPSCREW 3/8-16 x 1 GR. 5   | 4    |
| 32       | 202B        | BALL BEARING-M10xM30        | 1    |
| 33       | 7-0070      | SET SCREW 7/16-14 x 7/32 HL | 1    |
| 34       | 7-0071      | SET SCREW 1/4-28 x 1 3/4 CP | 1    |
| 35       | 720-1       | KNOB-TRACKING               | 1    |
| 36       | 707EXM      | WHEEL-IDLER                 | 1    |
| 37       | 25          | SET SCREW 5/16-18 X 3/8 CP  | 1    |
| 38       | 2-0038      | SHCS 8-32 x 5/8             | 5    |
| 39       | 20          | NUT-NYLOK JAM 1/2-20        | 1    |
| 40       | 21          | WASHER, 1/2 SAE PLTED       | 1    |
| 41       | 5           | WASHER 1/4 AN960-416        | 10   |
| 42       | 209         | SHCS 1/4-20 X 3/4           | 8    |
| 43       | 9           | BHSHCS 10-24 X 1/2          | 3    |
| 44       | 2-0010      | SHCS 3/8-16 X 1 1/2         | 1    |
| 45       | 17          | WASHER 3/8 AN960-616        | 1    |
| 46       | 4-0030      | NUT-7/16-20 JAM             | 1    |
| 47       | 3-0037      | SCREW-8-32 x 2 1/4 PH       | 2    |
| 48       | 5-0049      | WASHER- #8 FLAT             | 2    |
| 49       | 4-0026      | NUT- 8-32 NYLOCK            | 2    |
| 50       | 23          | NUT, 6-32 KEP               | 3    |
| 51       | 2-0061      | SCREW- 6-32 x 3/4 FH        | 3    |

# MODEL 720A FOOTPRINT

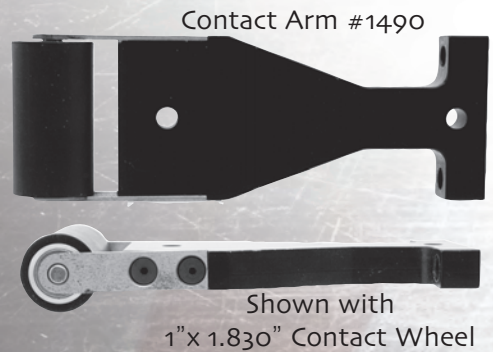
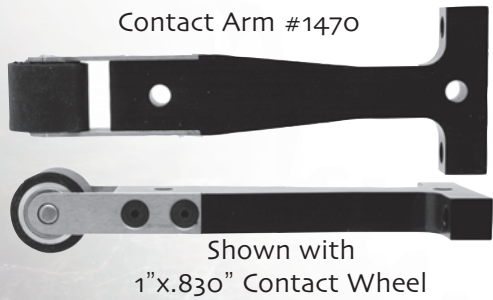
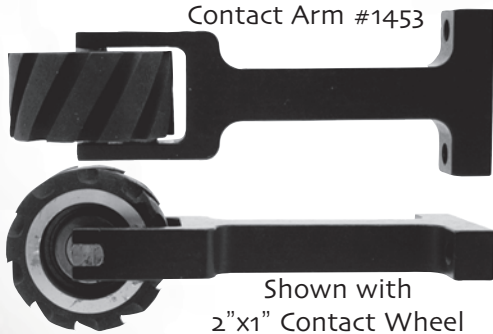


Just some of the arm and wheel combinations that are available for the Model 720 Probe Grinder. Please contact your local dealer or the factory to learn about wheels that are available or check our website at [www.burking.com/wheel-picker](http://www.burking.com/wheel-picker)

**BURR KING**

**ACCESSORY ARMS**

**Value Adding Accessories & Options**



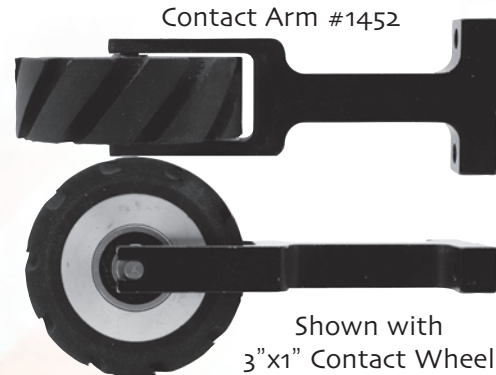
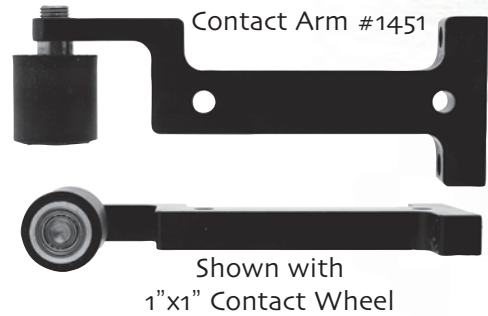
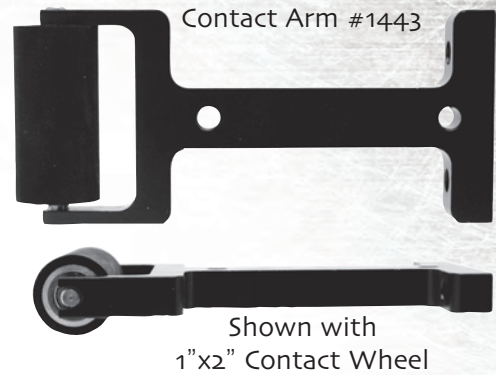
Wheel Diameters from 3/8" to 3"

Wheel Widths from 1/2" to 2"

Wheel Hardness from 50 to 90 Duro

Wheels Plain Faced/Serrated

Call Us For Additional Specifications and Options



**INTERCHANGEABLE ARMS FIT ALL INTERNAL GRINDING ATTACHMENTS**