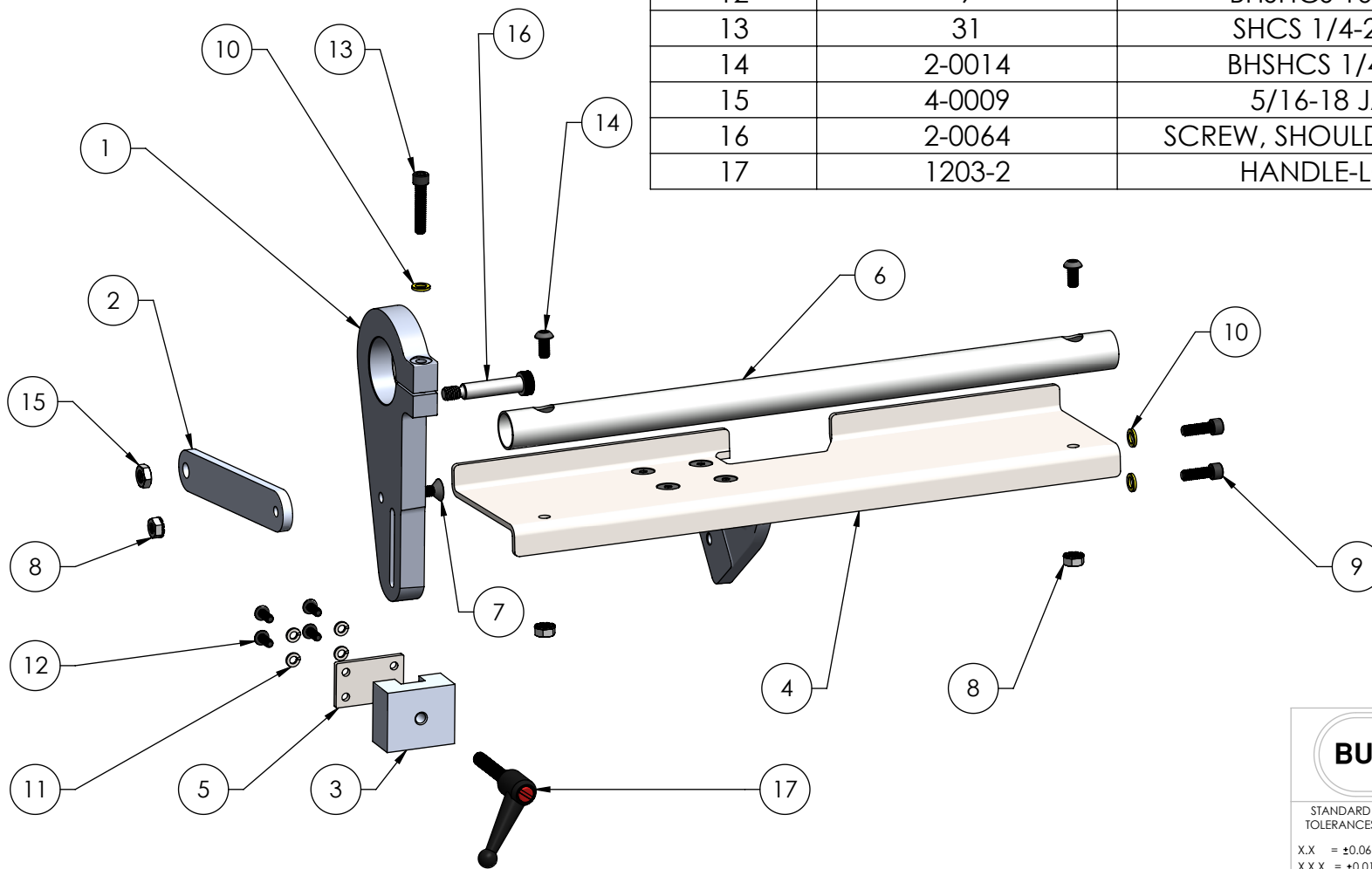


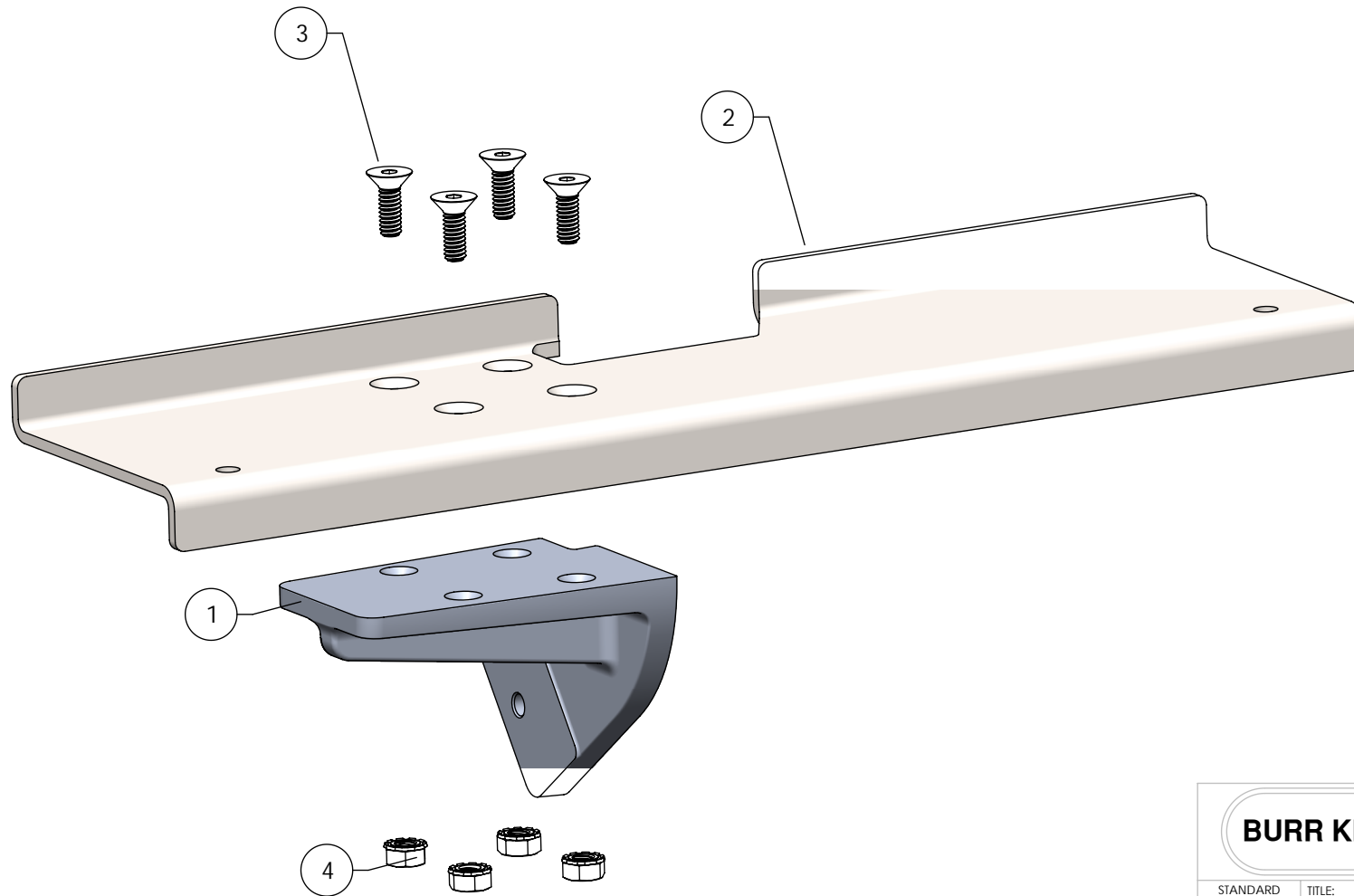
ITEM NO.	PART NUMBER	DESCRIPTION	QTY.
1	9607	ARM-WORKREST SUPPORT	1
2	9610	BRACKET, ARM	1
3	9606	BLOCK-GUIDE	1
4	9609A	WORKREST ASSEMBLY	1
5	9605	PLATE, ALIGNMENT	1
6	9602	TUBE-ANGLE	1
7	5-0047	FHSHCS 1/4-20 X 1 1/4	1
8	4-0013	NUT, 1/4"-20 KEP	3
9	209	SHCS 1/4-20 X 3/4	2
10	5	WASHER, 1/4" AN960-416	3
11	15	WASHER, #10 LOCK, SPLIT	4
12	9	BHSHCS 10-24 X 1/2	4
13	31	SHCS 1/4-20 X 1 1/4	1
14	2-0014	BHSHCS 1/4-20 X 1/2	2
15	4-0009	5/16-18 JAM NUT	1
16	2-0064	SCREW, SHOULDER 3/8 x 1 1/2	1
17	1203-2	HANDLE-LOCKING	1




THE DATA CONTAINED HEREIN IS THE SOLE PROPERTY OF BURR KING MFG. CO., INC. REPRODUCTION OR DISTRIBUTION OF THIS DATA IS STRICTLY PROHIBITED WITHOUT CONSENT OF BURR KING MFG. CO., INC.

		1220 TAMARA LANE WARSAW, MO 65355 PH: 660-438-8998 800-621-2748 FAX: 660-438-8991 E-MAIL: info@burrking.com	
		STANDARD TOLERANCES X.X = ±0.06 X.X X = ±0.01 X.X X X = ±0.005 ANGLE = ±1/2°	TITLE: ATTACH-MOWER BLADE PART NO. 967 DRAWN BY: KDE DATE DRAWN: 05/06/2019

ITEM NO.	PART NUMBER	DESCRIPTION	QTY.
1	9608	BRACKET-WORKREST	1
2	9609KIT	WORKREST	1
3	5-0046	FHSHCS, 1/4-20 x 3/4	4
4	4-0013	NUT, 1/4"-20 KEP	4



		1220 TAMARA LANE WARSAW, MO 65355 PH: 660-438-8998 800-621-2748 FAX: 660-438-8991 E-MAIL: info@burrking.com		
		STANDARD TOLERANCES X.X = ±0.06 X.X X = ±0.01 X.X X X = ±0.005 ANGLE = ±1/2°	TITLE: WORKREST ASSEMBLY	SHEET 1 OF 1
		PART NO.	9609A	REV. A
		DRAWN BY: KDE	DATE DRAWN: 05/06/2019	

THE DATA CONTAINED HEREIN IS THE SOLE PROPERTY OF BURR KING MFG. CO., INC. REPRODUCTION OR DISTRIBUTION OF THIS DATA IS STRICTLY PROHIBITED WITHOUT CONSENT OF BURR KING MFG. CO., INC.