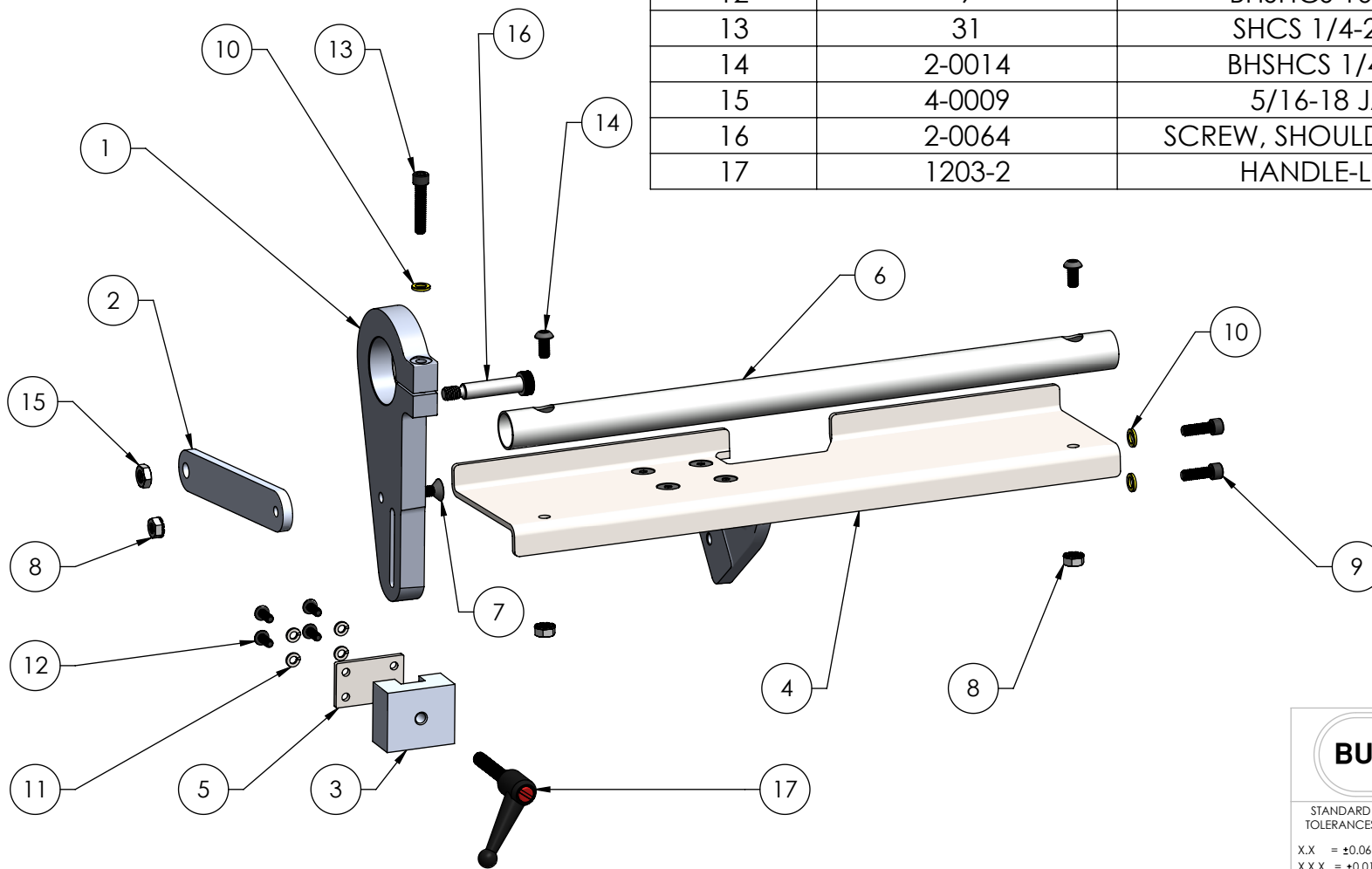


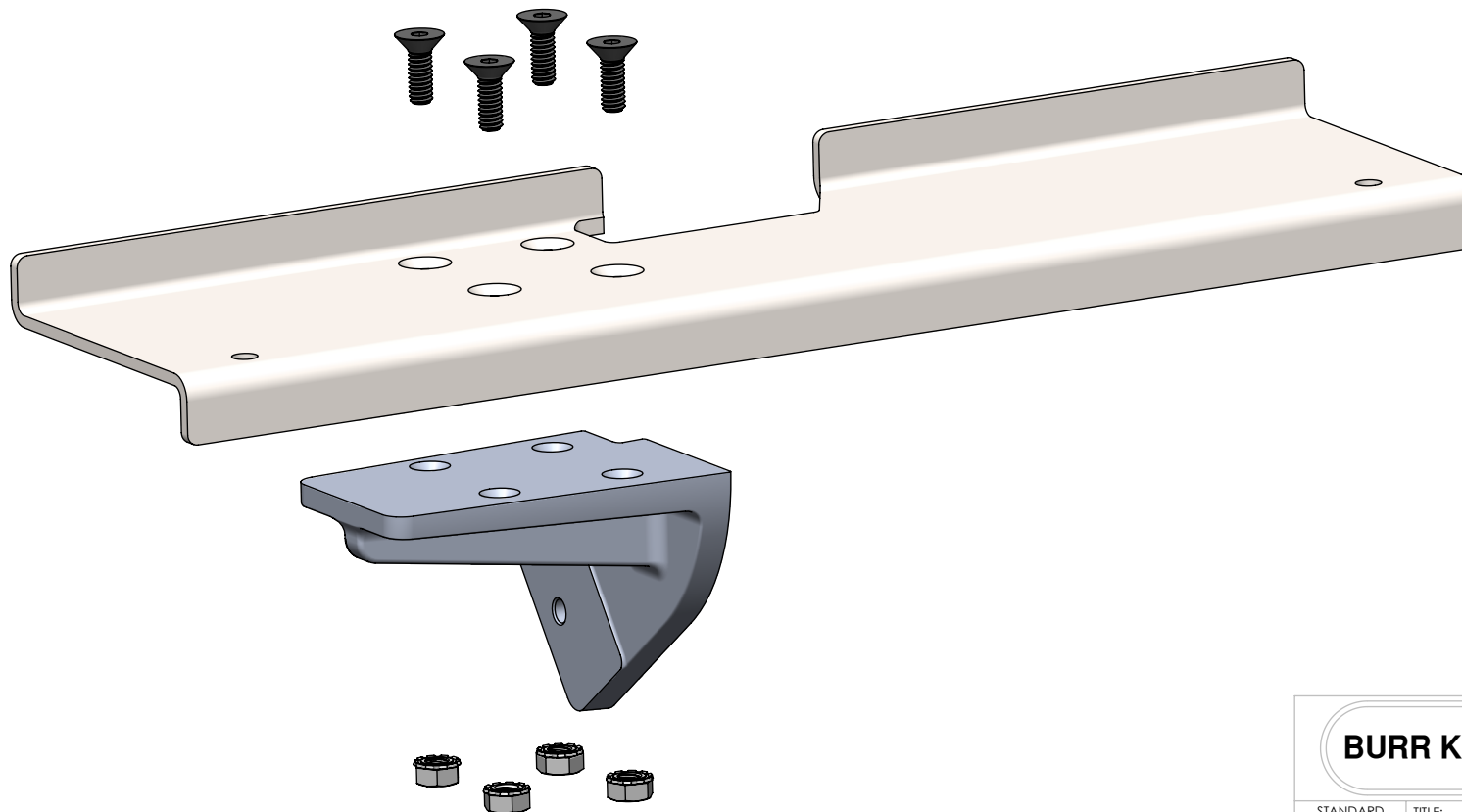
ITEM NO.	PART NUMBER	DESCRIPTION	QTY.
1	9607	ARM-WORKREST SUPPORT	1
2	9610	BRACKET, ARM	1
3	9606	BLOCK-GUIDE	1
4	9609A	WORKREST ASSEMBLY	1
5	9605	PLATE, ALIGNMENT	1
6	9602	TUBE-ANGLE	1
7	5-0047	FHSHCS 1/4-20 X 1 1/4	1
8	4-0013	NUT, 1/4"-20 KEP	3
9	209	SHCS 1/4-20 X 3/4	2
10	5	WASHER, 1/4" AN960-416	3
11	15	WASHER, #10 LOCK, SPLIT	4
12	9	BHSHCS 10-24 X 1/2	4
13	31	SHCS 1/4-20 X 1 1/4	1
14	2-0014	BHSHCS 1/4-20 X 1/2	2
15	4-0009	5/16-18 JAM NUT	1
16	2-0064	SCREW, SHOULDER 3/8 x 1 1/2	1
17	1203-2	HANDLE-LOCKING	1



THE DATA CONTAINED HEREIN IS THE SOLE PROPERTY OF BURR KING MFG. CO., INC. REPRODUCTION OR DISTRIBUTION OF THIS DATA IS STRICTLY PROHIBITED WITHOUT CONSENT OF BURR KING MFG. CO., INC.

BURR KING		1220 TAMARA LANE WARSAW, MO 65355	
		PH: 660-438-8998 800-621-2748 FAX: 660-438-8991 E-MAIL: info@burrking.com	
STANDARD TOLERANCES	TITLE:	ATTACH-MOWER BLADE	
X.X = ±0.06	PART NO.	967	
X.X X = ±0.01	DRAWN BY: KDE	DATE DRAWN: 05/06/2019	
X.X X X = ±0.005			
ANGLE = ±1/2°			
		SHEET	1 OF 1
		REV.	A

ITEM NO.	PART NUMBER	DESCRIPTION	QTY.
1	9608	BRACKET-WORKREST	1
2	9609	WORKREST	1
3	5-0046	FHSHCS, 1/4-20 x 3/4	4
4	4-0013	NUT, 1/4"-20 KEP	4



BURR KING

1220 TAMARA LANE
 WARSAW, MO 65355
 PH: 660-438-8998
 800-621-2748
 FAX: 660-438-8991
 E-MAIL: info@burrking.com

STANDARD TOLERANCES

X.X = ±0.06
 X.X X = ±0.01
 X.X X X = ±0.005
 ANGLE = ±1/2°

TITLE:

WORKREST ASSEMBLY

PART NO.

9609A

DRAWN BY: KDE

DATE DRAWN: 05/06/2019

SHEET

1 OF 1

REV.

A