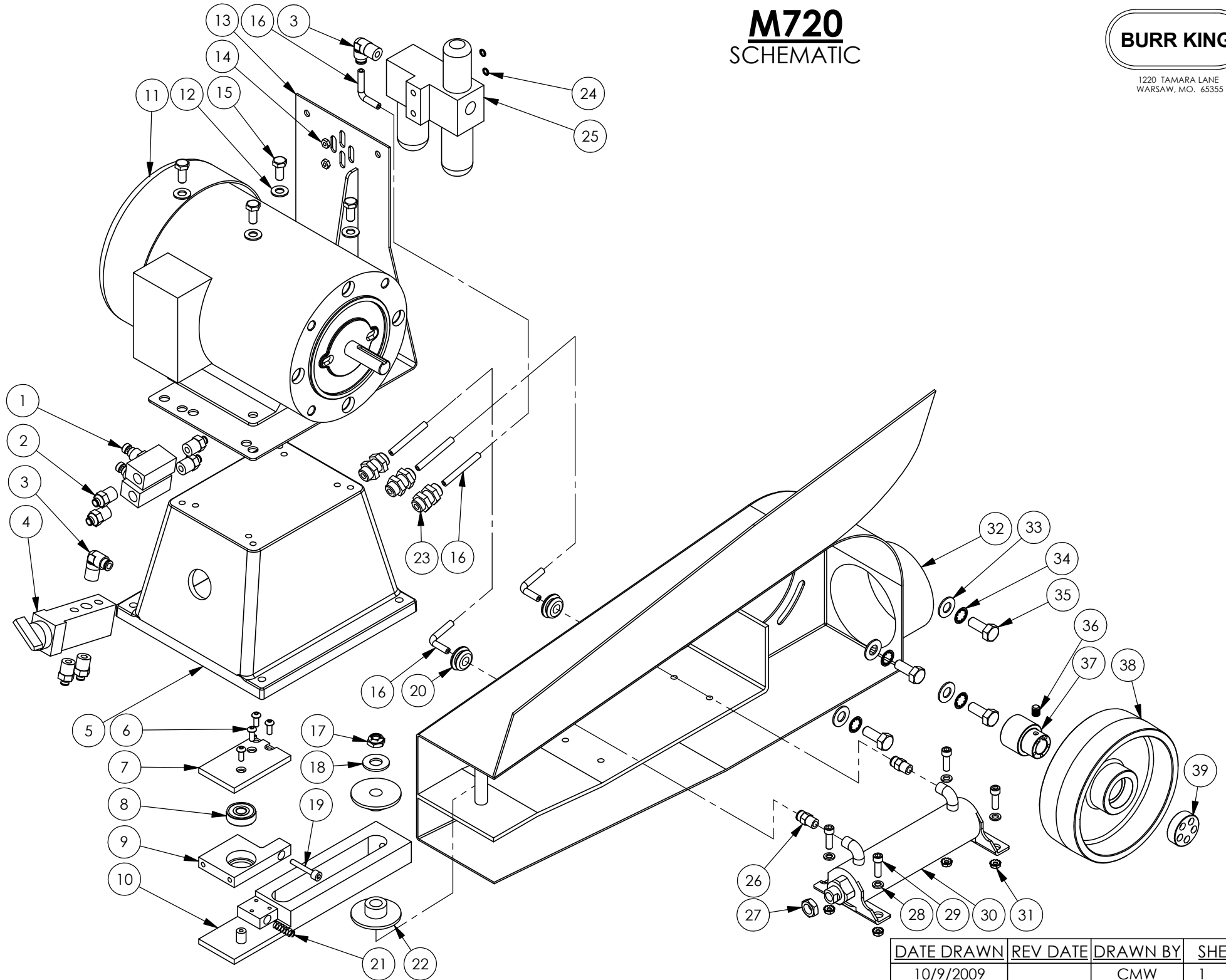


M720 SCHEMATIC

BURR KING

1220 TAMARA LANE
WARSAW, MO. 65355



| DATE DRAWN | REV DATE | DRAWN BY | SHEET |
|------------|----------|----------|-------|
| 10/9/2009 | | CMW | 1 |

M720

| ITEM NO. | PART NUMBER | DESCRIPTION | QTY. |
|----------|-------------|---------------------------------|------|
| 1 | 7212 | VALVE, FLOW CONTROL, AIR | 2 |
| 2 | 7217 | FITTING, STRAIGHT, 1/4 X 1/4 | 6 |
| 3 | 7214 | FITTING, 90 DEGREE, 1/4X1/4 | 2 |
| 4 | 7213 | VALVE, SELECTOR | 1 |
| 5 | 941-1 | BASE, CONTROL MOUNT | 1 |
| 6 | 9 | SCREW, 10-24x1/2 BH, BLK OXIDE | 4 |
| 7 | 7201-3 | CAP, TRACKING | 1 |
| 8 | 202B | 6200 SERIES 10MM ID BEARING | 1 |
| 9 | 7201-2 | PIVOT | 1 |
| 10 | 7201-1 | ARM, EXTENDER | 1 |
| 11 | MOTOR | CALL FACTORY | 1 |
| 12 | 4 | WASHER, 5/16 SAE | 4 |
| 13 | MB-4C | BRACKET, MOUNTING, STARTER | 1 |
| 14 | 4-0026 | NUT, 8-32, ZINC | 2 |
| 15 | 37 | BOLT, 5/16-18x3/4 HEX HEAD | 4 |
| 16 | 7219 | TUBE, AIR, 1/8 ID | 3 |
| 17 | 20 | NUT, NYLOK JAM, 1/2-20 | 1 |
| 18 | 21 | WASHER, 1/2 ID | 1 |
| 19 | 3-0019 | SCREW, 10-24x1 1/2 SS | 1 |
| 20 | 7205 | GROMMET | 2 |
| 21 | 7221 | SPRING, TRACKING | 1 |
| 22 | 7203 | GLIDE, DELRIN | 2 |
| 23 | 7215 | CONNECTOR, AIR, BULKHEAD | 3 |
| 24 | 5-0036 | WASHER, #8, LOCK, INTERNAL | 2 |
| 25 | 7211 | REGULATOR, FILTER ASSY | 1 |
| 26 | 7216 | FITTING, STRAIGHT, 1/8 X 1/4 | 2 |
| 27 | 4-0030 | NUT, 7/16-20, JAM, THIN | 1 |
| 28 | 5 | WASHER, 1/4 AN | 4 |
| 29 | 209 | SCREW, 1/4-20 X 3/4 ALLEN HEAD | 4 |
| 30 | 7210 | CYLINDER, AIR | 1 |
| 31 | 4-0013 | NUT, KEP, 1/4-20 | 4 |
| 32 | 7200 | FRAME, MAIN | 1 |
| 33 | 5-0023 | WASHER, 3/8 X 7/8, USS | 4 |
| 34 | 5-0014 | WASHER, LOCK 3/8, INTERNAL STAR | 4 |
| 35 | 1-0001 | 3/8-16 x 1 HEX HEAD BOLT | 4 |
| 36 | 25 | SCREW, SET 5/16-18 x 3/8 | 1 |
| 37 | 7202A | ADAPTER, WHL | 1 |
| 38 | 707EXM | DRIVE WHL | 1 |
| 39 | 7202B | ADAPTER, DRIVE WHL | 1 |

BURR KING1220 TAMARA LANE
WARSAW, MO. 65355

| TITLE | DATE DRAWN | REV DATE | DRAWN BY | SHEET |
|-------|------------|----------|----------|-------|
| M720 | 10/9/2009 | | CMW | |