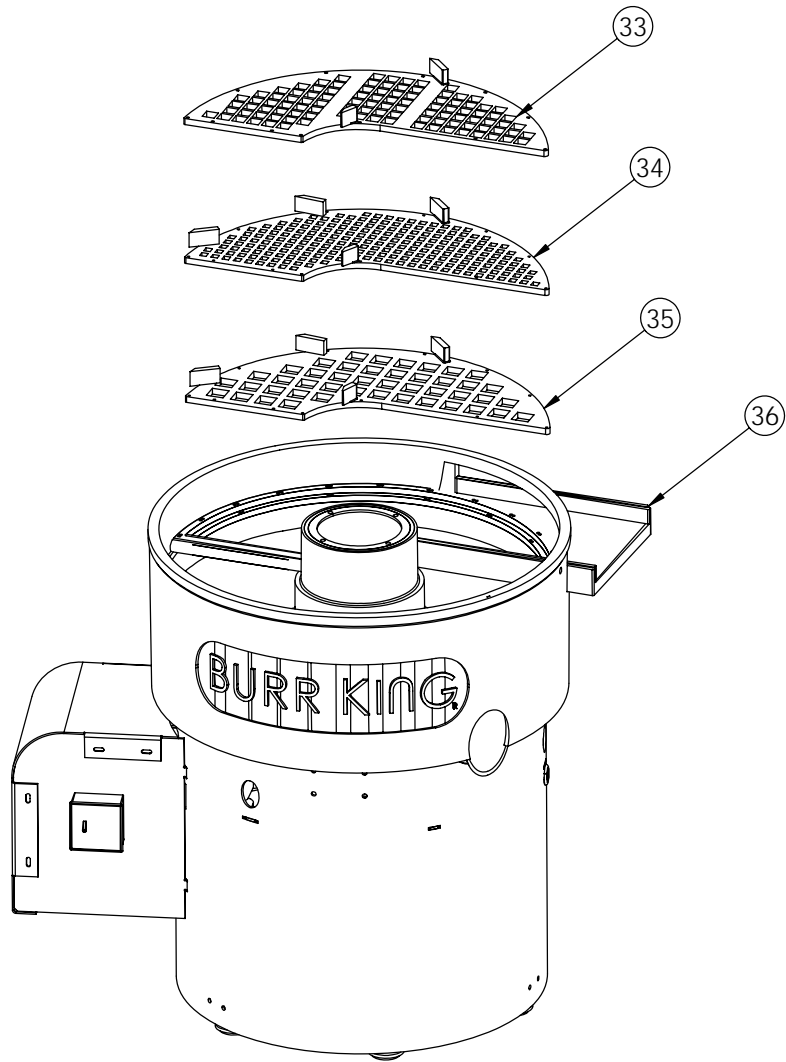


ITEM NO.	QTY.	PART NO.	DESCRIPTION
33	1	3518	SCREEN, SEPERATOR - 1"
34	1	3518-1	SCREEN, SEPERATOR - 1/2"
35	1	3518-2	SCREEN, SEPERATOR - 1 3/8"
36	2	3517	TRAY, M40



BURR KING

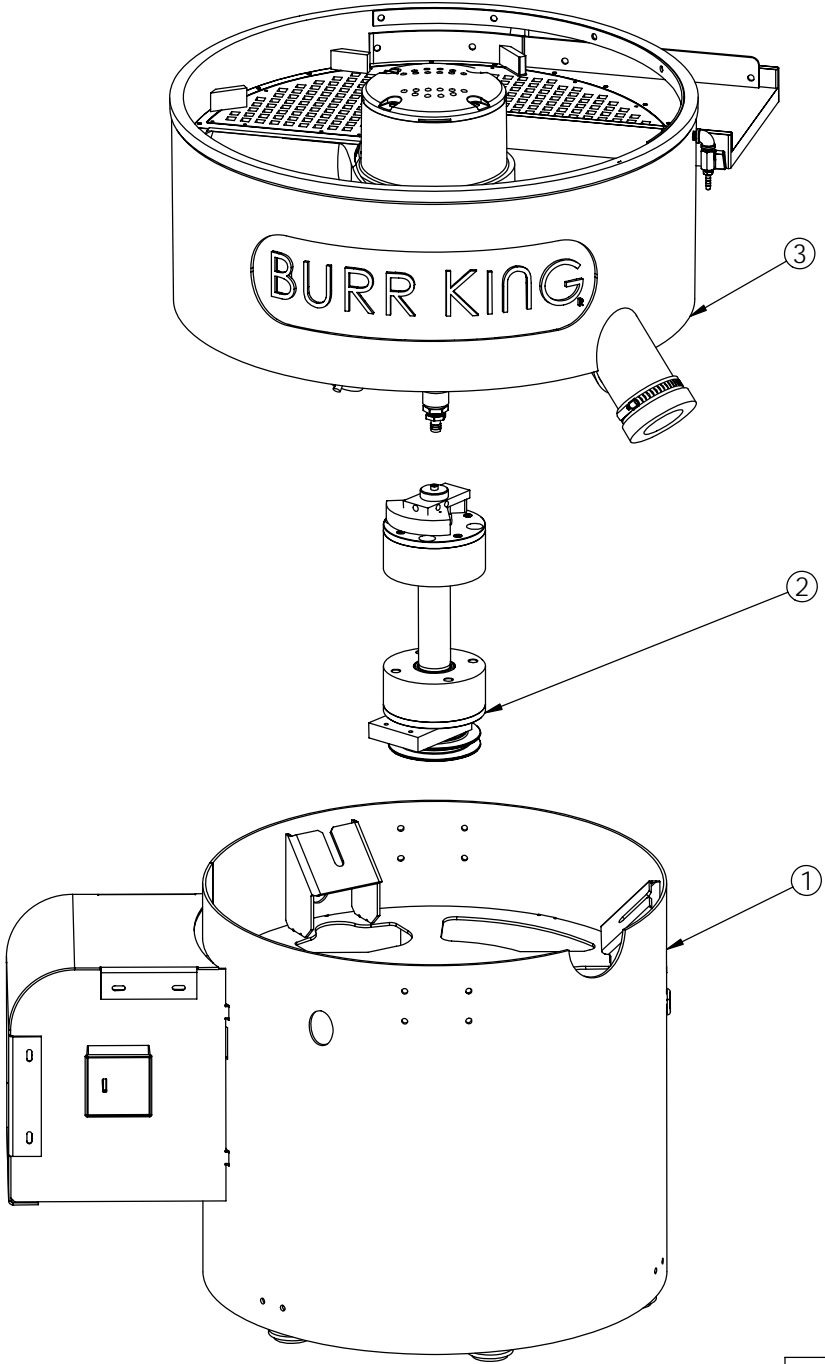
3 TAMARA LANE
 WARSAW, MO. 65355
 PH: 660-438-8998
 800-621-2748
 FAX: 660-438-8991
 E-MAIL: burrking@land.net

THE DATA CONTAINED HEREIN IS THE SOLE PROPERTY
 OF BURR KING MFG. CO., INC. REPRODUCTION OR
 DISTRIBUTION OF THIS DATA IS STRICTLY PROHIBITED
 WITHOUT CONSENT OF BURR KING MFG. CO., INC.

REV	DESCRIPTION	REV DATE
A	PRELIMINARY, NOT FOR PRODUCTION	

STANDARD TOLERANCES	TITLE: M40 MEDIA SCREENS	SHEET 1 OF 1
X.X = ±0.1	PART NO. M40 OPTIONS	REV. A
X.X X = ±0.01		
X.X X X = ±0.002		
ANGLE = ±1/2°	DRAWN BY:	DATE DRAWN: 10-4-02

ITEM NO.	QTY.	PART NO.	DESCRIPTION
1	1	PLATFORM	PLATFORM ASSEMBLY
2	1	DRIVE	DRIVE ASSEMBLY
3	1	chamber	CHAMBER ASSEMBLY

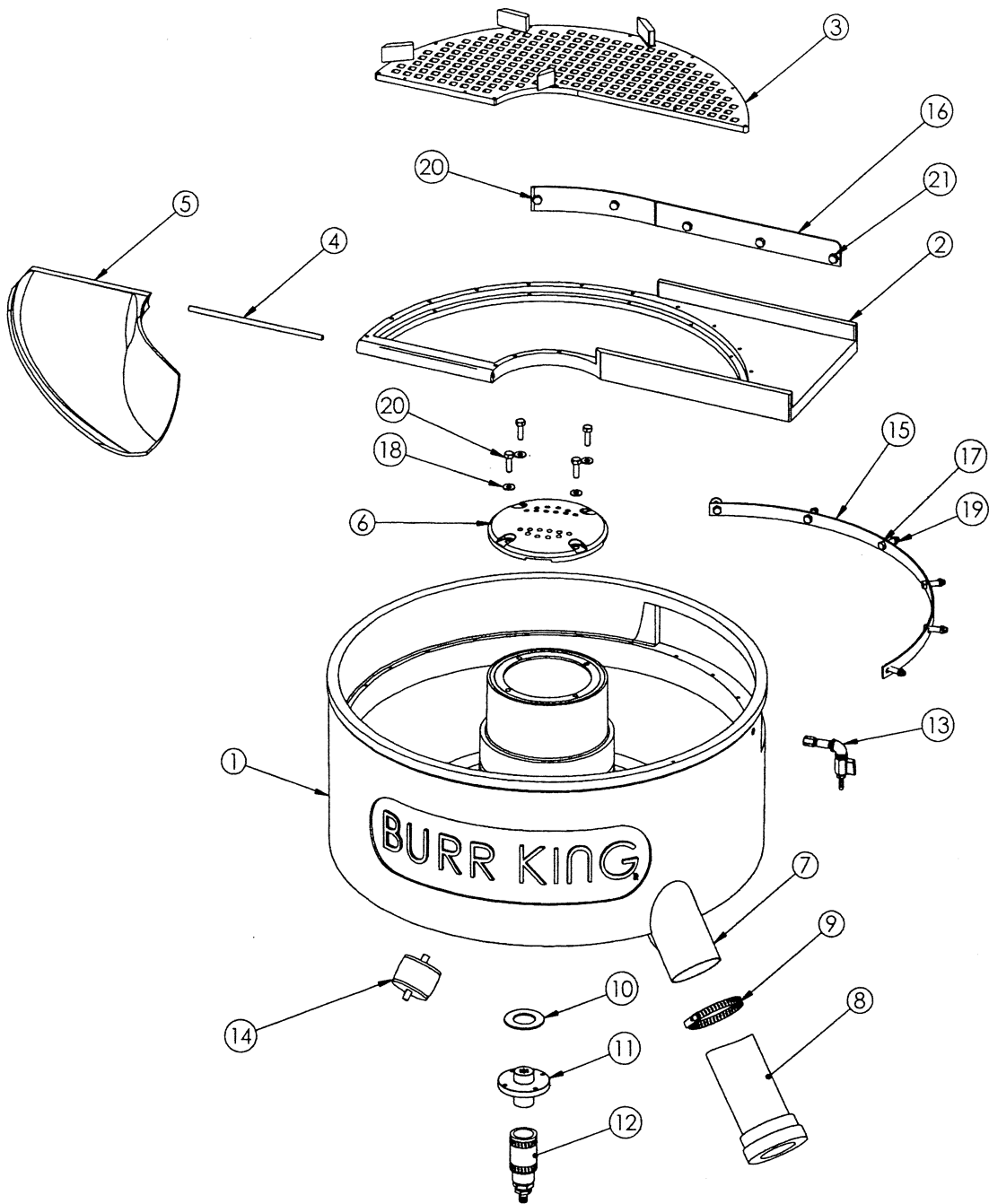


BURR KING

3 TAMARA LANE
 WARSAW, MO. 65355
 PH: 660-438-8998
 800-621-2748
 FAX: 660-438-8991
 E-MAIL: burrking@land.net

			STANDARD TOLERANCES	TITLE:	SHEET	
B	REVISED TO SHOW OUTBOARD	10-04-02	X X = ±0.1 X X X = ±0.01 X X X X = ±0.002 ANGLE = ±1/2°	M40 ASSEMBLY	1 OF 1	
A	PRELIMINARY, NOT FOR PRODUCTION	05-01-01		PART NO.	M40	REV. B
REV	DESCRIPTION	REV DATE		DRAWN BY: RJK	DATE DRAWN: 5-01-01	

THE DATA CONTAINED HEREIN IS THE SOLE PROPERTY OF BURR KING MFG. CO., INC. REPRODUCTION OR DISTRIBUTION OF THIS DATA IS STRICTLY PROHIBITED WITHOUT CONSENT OF BURR KING MFG. CO., INC.



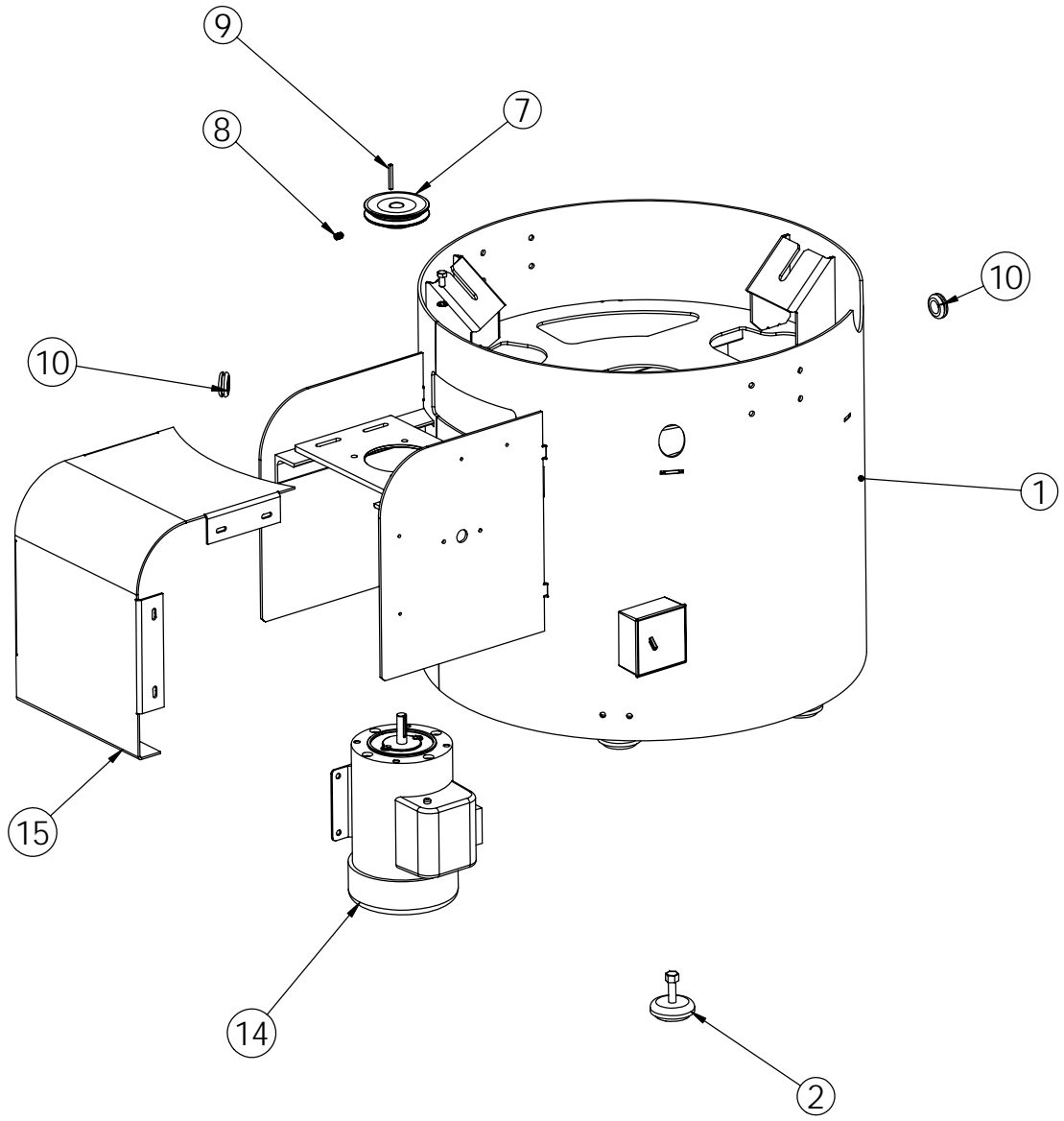
ITEM NO.	QTY.	PART NO.	DESCRIPTION
1	1	4010	TUB, VIBRA KING 40
2	1	3517	TRAY, M40
3	1	3518-1	SCREEN, SEPERATOR - 1/2"
4	1	3531	ROD, RAMP PIVOT
5	1	3517-1	RAMP, TRAY
6	1	3519	CAP, CENTER
7	1	3506	TUBE, CHUTE
8	1	3507	PLUG, CHUTE
9	1	3318	CLAMP, HOSE 3" TO 5" SCREW DRIVE
10	1	3532	GASKET, DRAIN 1/8 RED RUBBER
11	1	3508-1	1/8 DRAIN
12	1	DRAIN HOSE	DRAIN HOSE ASSEMBLY
13	1	WATER INLET	WATER INLET ASSEMBLY
14	3	3313	ISOLATOR, NEOPRENE, 75x55mm
15	1	3540	SUPPORT, WINDOW RING
16	1	3538	SUPPORT, TRAY OUTSIDE
17	6	1-0006	BOLT, 3/8-16 x 1 1/2, HEX
18	5	40	WASHER, SAE, 3/8
19	6	4-0005	NUT, 3/8-16, JAM, ELASTIC LOCK
20	6	1-0003	3/8-16 x 1 1/4 HEX HEAD BOLT
21	3	1-0001	3/8-16 x 1 HEX HEAD BOLT


3 TAMARA LANE
 WARSAW, MO. 65355
 PH: 660-438-8998
 800-621-2748
 FAX: 660-438-8991
 E-MAIL: burrking@land.net

STANDARD TOLERANCES	TITLE: CHAMBER ASSEMBLY	SHEET 1 OF 1
X.X = ±0.1	PART NO. CHAMBER	REV.
X.X X = ±0.01	DRAWN BY: RJK	DATE DRAWN: 5-25-01
X.X X X = ±0.002		
ANGLE = ±1/2°		

THE DATA CONTAINED HEREIN IS THE SOLE PROPERTY OF BURR KING MFG. CO., INC. REPRODUCTION OR DISTRIBUTION OF THIS DATA IS STRICTLY PROHIBITED WITHOUT CONSENT OF BURR KING MFG. CO., INC.

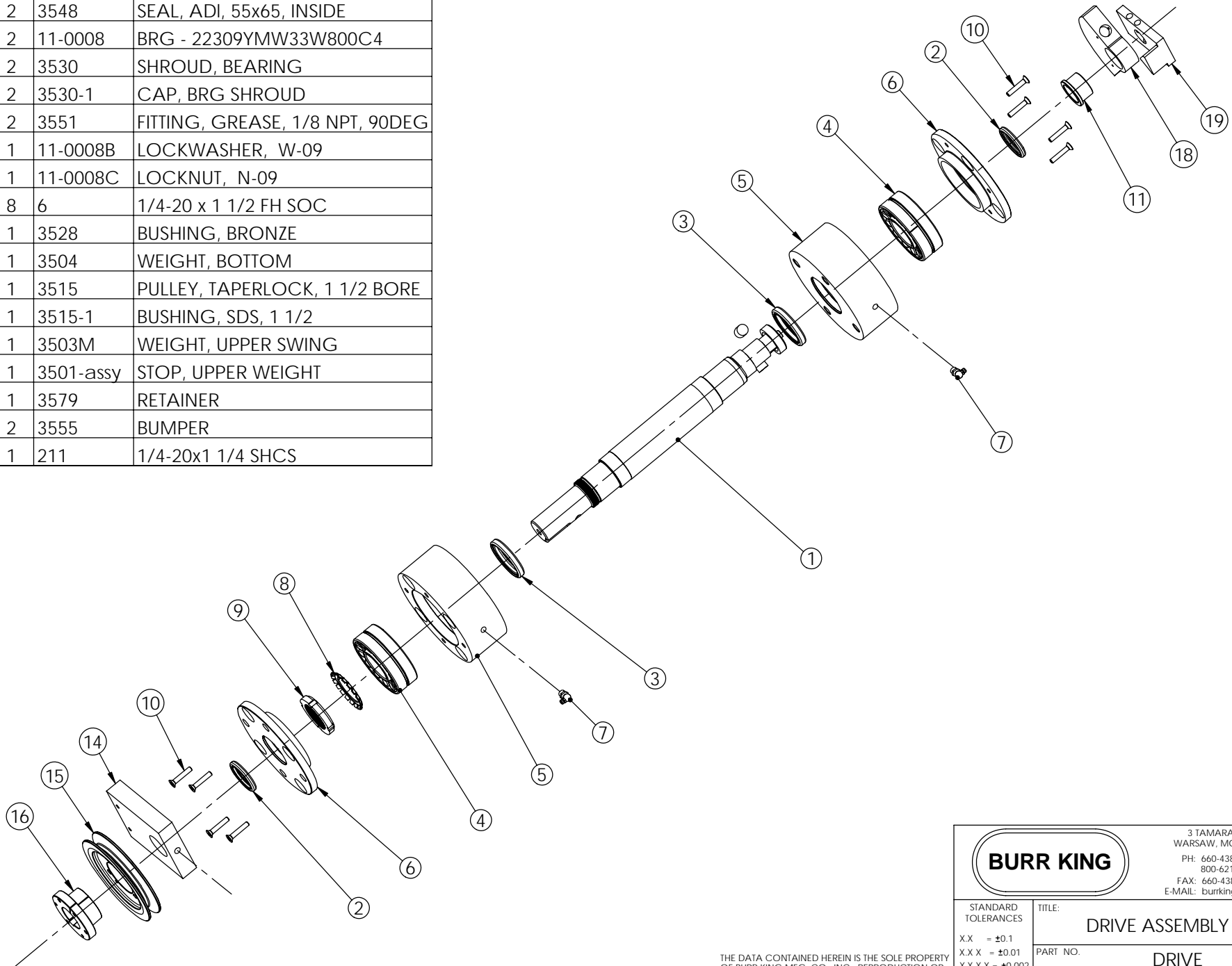
ITEM NO.	QTY.	PART NO.	DESCRIPTION
1	1	4012-1	BASE, VIBRA KING 40
2	6	3314	FOOT, MACH. ISOLATOR, 68 SHORE
5	1	1-0005	BOLT, 3/8-16 x 3/4, HEX
6	1	5-0014	WASHER, LOCK 3/8, INTERNAL STAR
7	1	3527	PULLEY, 4.25 x 7/8 FIXED BORE
8	1	3-0001	SCREW, SET 3/8-16 x 1/2, BRASS TIP
9	1	1875-Key	3/16 SQ x 1 3/4 LG KEY
10	2	3511	GROMMET, RUBBER 7/8 ID x 3/16
14	1	MOTOR	VARIOUS
15	1	shroud lid	



		3 TAMARA LANE WARSAW, MO. 65355 PH: 660-438-8998 800-621-2748 FAX: 660-438-8991 E-MAIL: burrking@land.net	
STANDARD TOLERANCES	TITLE:	PLATFORM ASSEMBLY	
X X = ±0.1	PART NO.	PLATFORM	
X X X = ±0.01	DRAWN BY:	RJK	DATE DRAWN: 10-4-02
X X X X = ±0.002			
ANGLE = ±1/2°			
			SHEET 1 OF 1
			REV.

THE DATA CONTAINED HEREIN IS THE SOLE PROPERTY OF BURR KING MFG. CO., INC. REPRODUCTION OR DISTRIBUTION OF THIS DATA IS STRICTLY PROHIBITED WITHOUT CONSENT OF BURR KING MFG. CO., INC.

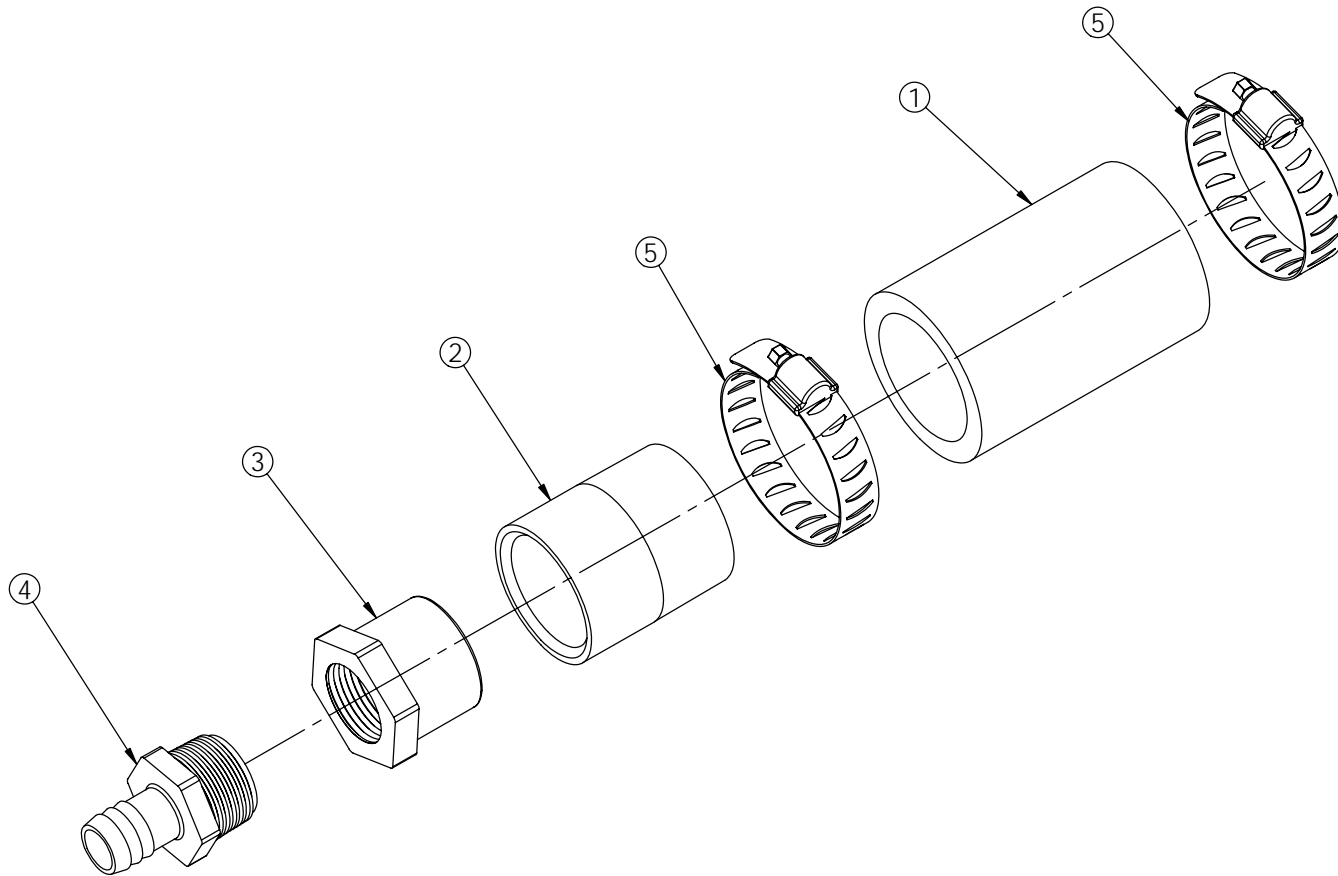
ITEM NO.	QTY.	PART NO.	DESCRIPTION
1	1	3500	SHAFT, DRIVE
2	2	3547	SEAL, ADL, 38x52, OUTSIDE
3	2	3548	SEAL, ADI, 55x65, INSIDE
4	2	11-0008	BRG - 22309YMW33W800C4
5	2	3530	SHROUD, BEARING
6	2	3530-1	CAP, BRG SHROUD
7	2	3551	FITTING, GREASE, 1/8 NPT, 90DEG
8	1	11-0008B	LOCKWASHER, W-09
9	1	11-0008C	LOCKNUT, N-09
10	8	6	1/4-20 x 1 1/2 FH SOC
11	1	3528	BUSHING, BRONZE
14	1	3504	WEIGHT, BOTTOM
15	1	3515	PULLEY, TAPERLOCK, 1 1/2 BORE
16	1	3515-1	BUSHING, SDS, 1 1/2
18	1	3503M	WEIGHT, UPPER SWING
19	1	3501-assy	STOP, UPPER WEIGHT
20	1	3579	RETAINER
21	2	3555	BUMPER
22	1	211	1/4-20x1 1/4 SHCS




		3 TAMARA LANE WARSAW, MO. 65355 PH: 660-438-8998 800-621-2748 FAX: 660-438-8991 E-MAIL: burrking@land.net	
		STANDARD TOLERANCES	TITLE:
X.X = ±0.1	DRIVE ASSEMBLY	1 OF 1	
X.X X = ±0.01	PART NO.	REV.	
X.X X X = ±0.002	DRIVE		
ANGLE = ±1/2°	DRAWN BY: RJK	DATE DRAWN: 5-25-01	

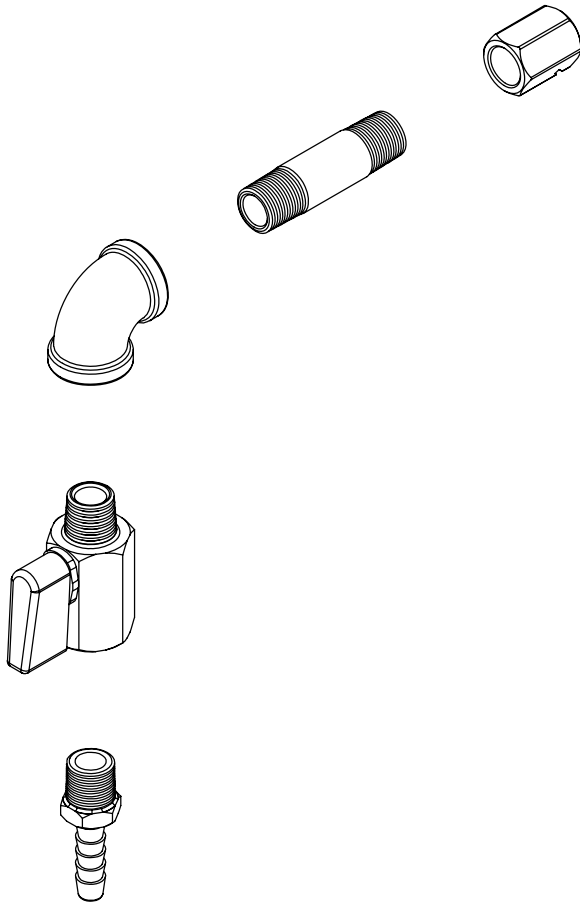
THE DATA CONTAINED HEREIN IS THE SOLE PROPERTY OF BURR KING MFG. CO., INC. REPRODUCTION OR DISTRIBUTION OF THIS DATA IS STRICTLY PROHIBITED WITHOUT CONSENT OF BURR KING MFG. CO., INC.

ITEM NO.	QTY.	PART NO.	DESCRIPTION
1	1	3509	HOSE, LOW PRESS. 1 1/2 ID
2	1	3535	COUPLING, 1", SCH40 PVC
3	1	3536	BUSHING, 1x3/4 NPT, SCH40 PVC
4	1	3404	FITTING, BARBED, 3/4 NPT, NYLON
5	2	3510	CLAMP, HOSE 1" TO 3" SCREW DRIVE



		3 TAMARA LANE WARSAW, MO. 65355 PH: 660-438-8998 800-621-2748 FAX: 660-438-8991 E-MAIL: burrking@land.net	
STANDARD TOLERANCES	TITLE:	DRAIN HOSE ASSEMBLY	
X X = ±0.1	PART NO.	DRAIN HOSE	
X X X = ±0.01	DRAWN BY:	RJK	DATE DRAWN: 5-25-01
X X X X = ±0.002			
ANGLE = ±1/2°			
		SHEET	1 OF 1
		REV.	

THE DATA CONTAINED HEREIN IS THE SOLE PROPERTY OF BURR KING MFG. CO., INC. REPRODUCTION OR DISTRIBUTION OF THIS DATA IS STRICTLY PROHIBITED WITHOUT CONSENT OF BURR KING MFG. CO., INC.



M40 WATER INLET

ITEM NO.	PART NUMBER	DESCRIPTION	QTY.
1	3337	VALVE, BALL, 1/4 NPT	1
2	3338	ELBOW, 1/4 NPT, GALV	1
3	3339	FITTING, BARBED HOSE, 1/4 NPT	1
4	3549	NIPPLE, PIPE-GALV, 2 x 1/4 NPT	1
5	3522	NOZZLE, SPRAY - 1/4NPT, FEMALE	1