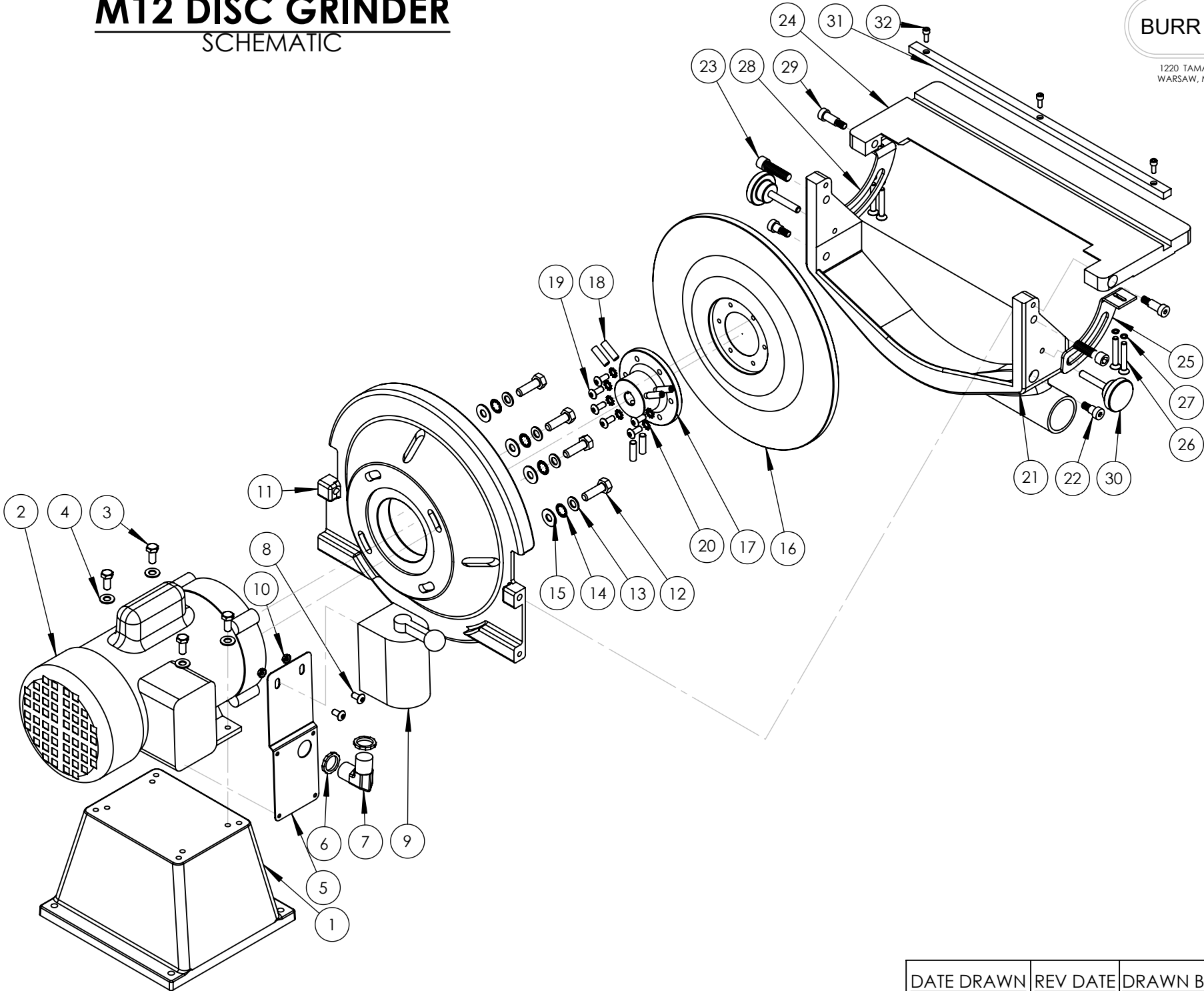


# M12 DISC GRINDER

## SCHEMATIC

BURR KING

1220 TAMARA LANE  
WARSAW, MO. 65355



| DATE DRAWN | REV DATE | DRAWN BY | SHEET  |
|------------|----------|----------|--------|
| 8/1/2009   | 9/9/2009 | CMW      | 1 OF 2 |

## 12" DISC GRINDER

**BURR KING**

1220 TAMARA LANE  
WARSAW, MO. 65355

| ITEM NO. | PART NUMBER    | DESCRIPTION                         | QTY. |
|----------|----------------|-------------------------------------|------|
| 1        | 941            | BASE                                | 1    |
| 2        | MOTOR          | CALL FRACTORY FOR MOTOR             | 1    |
| 3        | 2              | BOLT, 5/16-18 x 1/2 HH GRD5         | 4    |
| 4        | 4              | WASHER, 5/16 SAE ZINC PLTD          | 4    |
| 5        | 99-0046        | PLATE, MOTOR SWITCH                 | 1    |
| 6        | 4-0017         | NUT, 1/2" LOCK                      | 4    |
| 7        | 99-0052        | FITTING, ELBOW 1/2" MALE            | 1    |
| 8        | 2-0014         | SCREW, 1/4-20 x 1/2 BH              | 2    |
| 9        | 9942           | SWITCH, 115V/ 1 HP                  | 1    |
| 10       | 4-0013         | NUT, KEP, 1/4-20                    | 2    |
| 11       | 8705           | ADAPTER, BELL                       | 1    |
| 12       | 1-0003         | BOLT, 3/8-16 x 1 1/4 HEX HEAD       | 4    |
| 13       | 17             | WASHER, 960-616, AN                 | 4    |
| 14       | 5-0014         | WASHER, LOCK 3/8, INTERNAL STAR     | 4    |
| 15       | 42             | WASHER, SAE, 3/8                    | 4    |
| 16       | 8700           | DISC, 12"                           | 1    |
| 17       | 8702-1<br>8702 | HUB, 5/8"<br>HUB, 7/8"              | 1    |
| 18       | 421A           | SCREW, 5/16-18 x 1 SOCKET SET       | 6    |
| 19       | 2-0046         | SCREW, 1/4-28x5/8 BH                | 6    |
| 20       | 5-0008         | WASHER, 1/4, LOCK, EXTERNAL         | 6    |
| 21       | 8703           | GUARD, LOWER                        | 1    |
| 22       | 1-0040         | BOLT, SHOULDER, 5/16-18 x 3/8 x 3/8 | 2    |
| 23       | 2-0010         | BOLT, 3/8-16 x 1 1/2 SHCS           | 2    |
| 24       | 8704           | TABLE                               | 1    |
| 25       | 8707           | SUPPORT, TABLE, INDEX, RH           | 1    |
| 26       | 9              | SCREW 10-24 x 1/2 BH                | 4    |
| 27       | 15             | WASHER, #10 LOCK                    | 4    |
| 28       | 8706           | SUPPORT, TABLE, INDEX, LEFT         | 1    |
| 29       | 1-0041         | BOLT, SHOULDER, 5/16-18 x 3/8 x 3/4 | 2    |
| 30       | 711-1          | KNOB ASSY, TRACKING                 | 2    |
| 31       | 8708           | FILLER, TABLE                       | 1    |
| 32       | 2-0052         | SCREW, 10-24 X 1/2 ALLEN CAP        | 3    |

| TITLE            | DATE DRAWN | REV DATE | DRAWN BY | SHEET  |
|------------------|------------|----------|----------|--------|
| M12 DISC GRINDER | 8/1/2009   | 9/9/2009 | CMW      | 2 OF 2 |