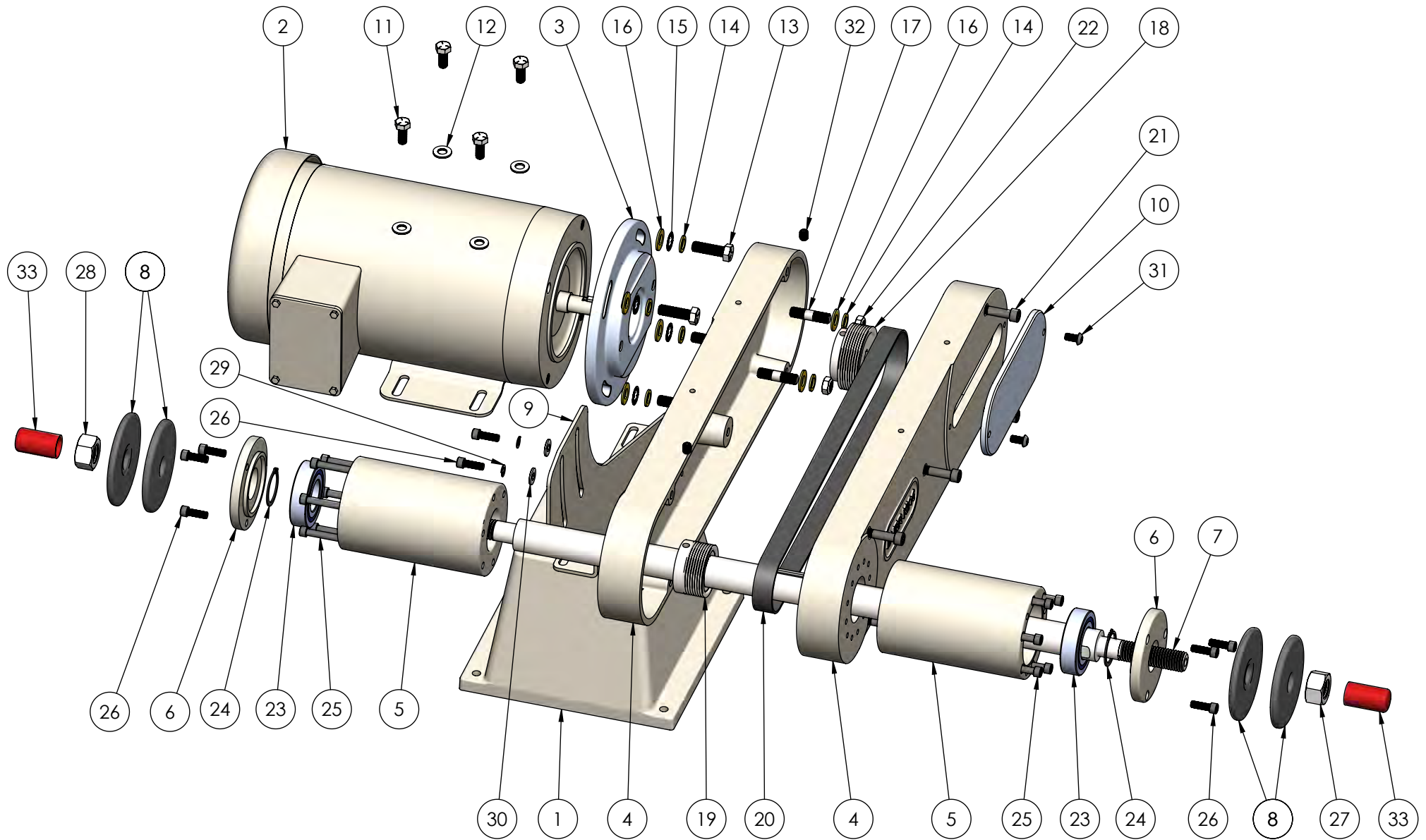


M1001 EXPLODED VIEW



1220 TAMARA LANE
WARSAW, MO 65355
PH: 660-438-8998
800-621-2748
FAX: 660-438-8991
E-MAIL: info@burrking.com

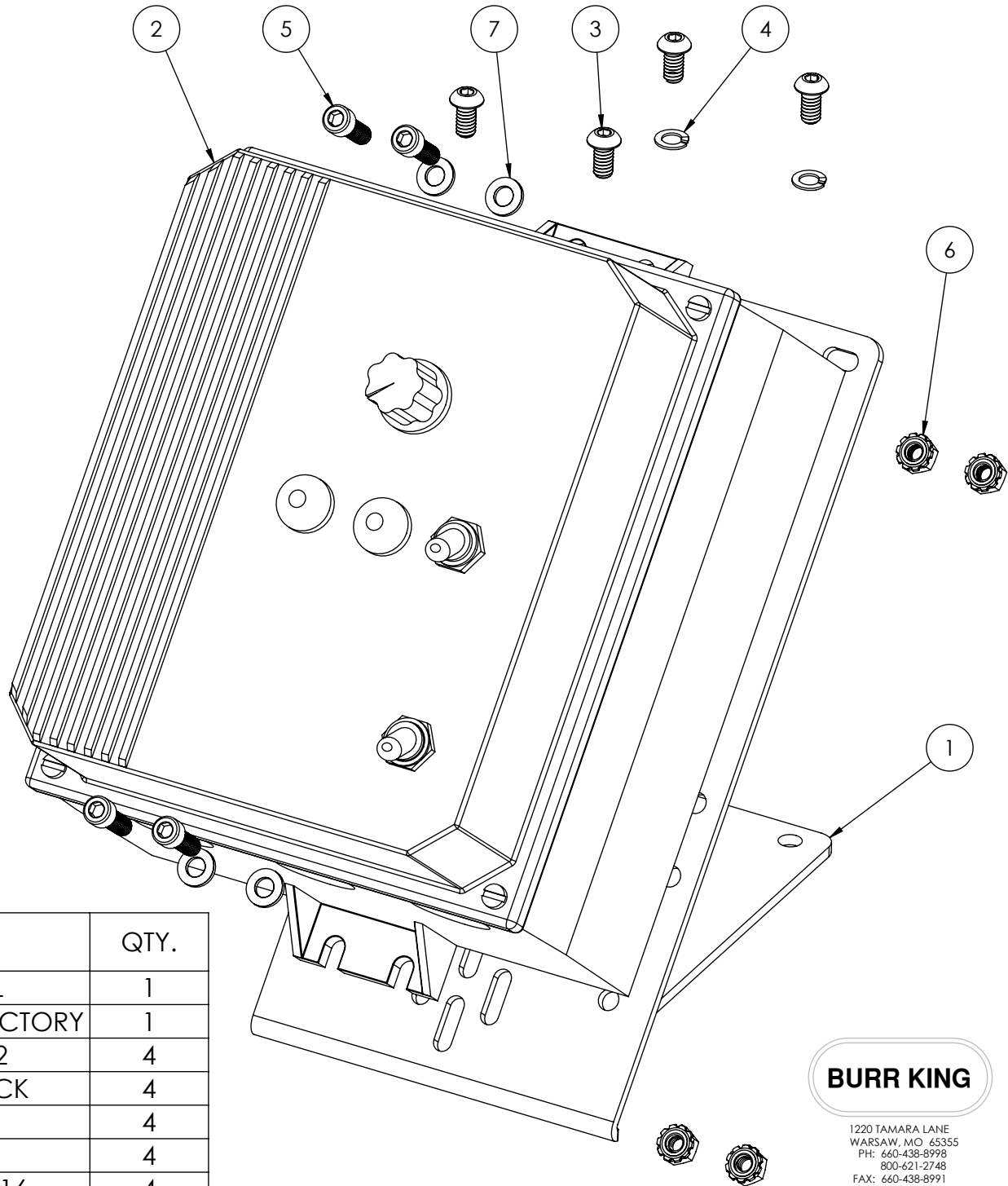
M1001 PARTS LIST

ITEM NO.	PART NUMBER	DESCRIPTION	QTY.
1	941	BASE-MACHINE	1
2	56C	MOTOR-CALL CUSTOMER SERVICE	1
3	908-1	C-FACE ADAPTER	1
4	1026A-2M	FRAME ASSEMBLY (M1001)	1
5	1033-1	MOUNT-BEARING	2
6	1034-1	SHROUD-BEARING	2
7	1028-7	SHAFT-SPINDLE	1
8	1030	FLANGE, WHEEL	4
9	1049-1	BRACKET-SUPPORT	1
10	1035	PLATE-COVER	1
11	37	CAPSCREW 5/16-18 X 3/4	4
12	4	WASHER 5/16 SAE	4
13	1-0003	CAPSCREW 3/8-16 x 1 1/4	4
14	17	WASHER 3/8 AN960-616	6
15	5-0014	WASHER 3/8 INTERNAL STAR	4
16	42	WASHER 3/8 FLAT GR.8	6
17	920	STUD 3/8 x 1 1/2 DOUBLE	2
18	20-0014	PULLEY-2.5 x .625	1
19	20-0013-1	PULLEY-2 x 30MM	1
20	1039-1	BELT- MICRO-V	1
21	2-0027	SHCS 5/16-18 x 2	5
22	39	NUT 3/8-24 JAM ESNA	2
23	11-0015	BALL BEARING	2
24	701J	RING-RETAINING 1 3/16	2
25	7-0015	SHCS 1/4-28 x 5	12
26	1435	SHCS 1/4-28 x 3/4	8
27	7-0013	NUT 3/4-10 R.H.	1
28	7-0014	NUT 3/4-10 L.H.	1
29	5-0032	WASHER 1/4 SPLIT LOCK	2
30	2-0065	WASHER 5/16 SAE	2
31	2-0028	BHSHCS 1/4-28 x 1/2	2
32	25	SET SCREW 5/16-18 X 3/8 CP	2
33	CAP	CAP-SAFETY 3/4	2

BURR KING

1220 TAMARA LANE
WARSAW, MO 65355
PH: 660-438-8998
800-621-2748
FAX: 660-438-8991
E-MAIL: info@burrking.com

M1001 SPEED CONTROL PARTS LIST



ITEM NO.	PART NUMBER	DESCRIPTION	QTY.
1	MB-4C4	BRACKET-CONTROL	1
2	S.C.	SPEED CONTROL-CALL FACTORY	1
3	2-0014	BHSHCS 1/4-20 X 1/2	4
4	5-0032	WASHER 1/4 SPLIT LOCK	4
5	209	SHCS 1/4-20 X 3/4	4
6	4-0013	NUT 1/4-20 KEP	4
7	5	WASHER 1/4 AN960-416	4

BURR KING

1220 TAMARA LANE
 WARSAW, MO 65355
 PH: 660-438-8998
 800-621-2748
 FAX: 660-438-8991
 E-MAIL: info@burrking.com