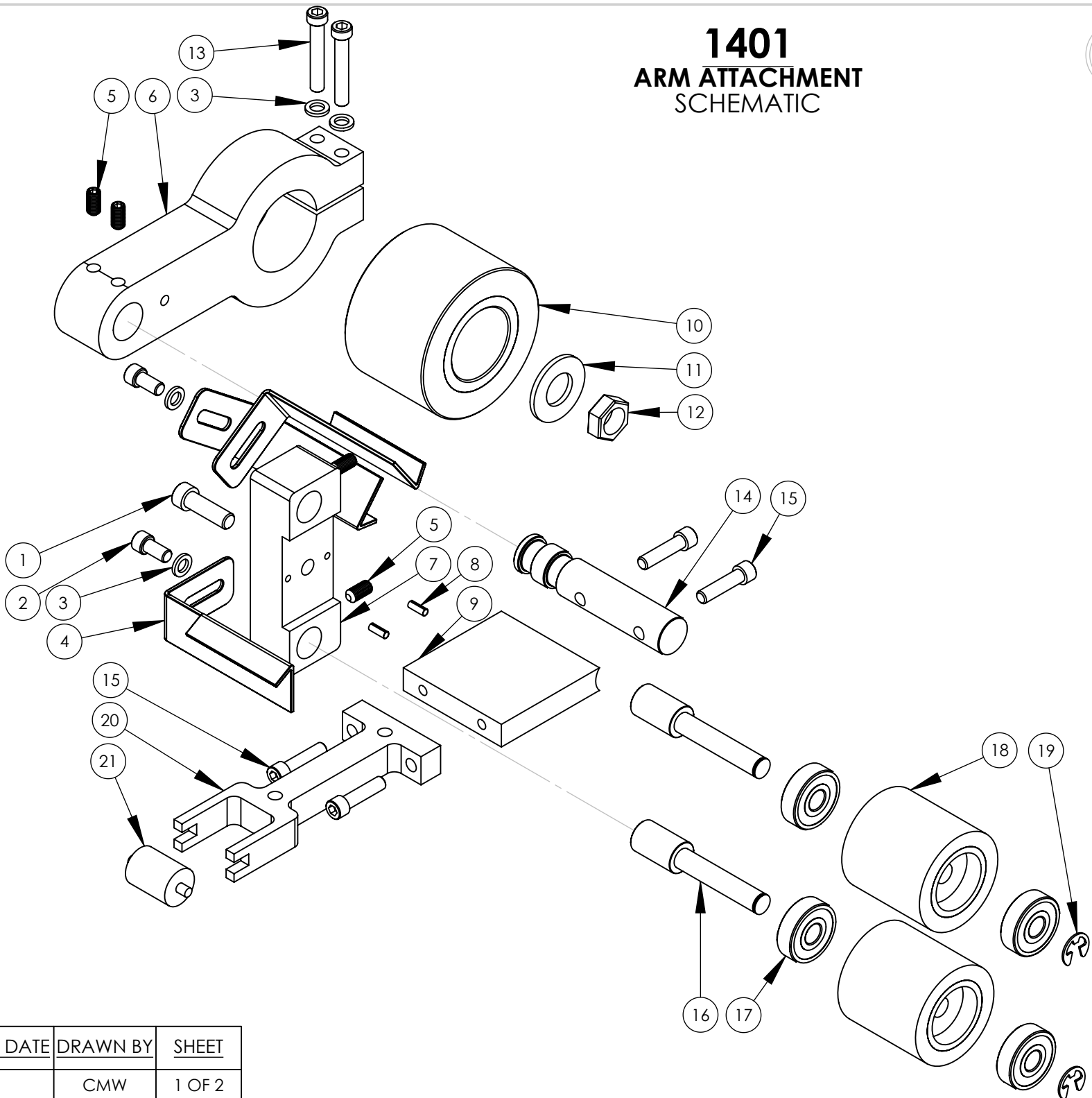


1401 ARM ATTACHMENT SCHEMATIC

BURR KING

1220 TAMARA LANE
WARSAW, MO. 65355



DATE DRAWN	REV DATE	DRAWN BY	SHEET
9/8/2009		CMW	1 OF 2

1401			
ITEM NO.	PART NUMBER	DESCRIPTION	QTY.
1	1430	BOLT, 5/16-18 x 1, ALLEN	1
2	1431	BOLT, 1/4-20 x 1/2 ALLEN, CS	2
3	5	WASHER, 960-416 AN	4
4	1429	GUARD, PINCH, 2"	3
5	1445	SCREW, 1/4-20 x 3/8, SET	4
6	1425	BRACKET, MOUNTING	1
7	1428	BRACKET, IDLER WHEEL	1
8	1437	PIN, ROLL, 1/8 x 3/8	2
9	1427	SUPPORT, ARM	1
10	302	CONTACT WHEEL, 3 x 2, 70 DURO	1
11	1456	WASHER, 5/8, FLAT, SAE	1
12	727	NUT, 5/8-18 RH, JAM, BRT	1
13	2-0011	SCREW, 1/4-20 X 1.5 ALLEN	2
14	1426	BAR, PIVOT	1
15	30	SCREW, 1/4-20x1 SHCS, SOC CAP	4
16	1444A	SHAFT, IDLER	2
17	202B	BEARING	4
18	1444U	WHEEL, IDLER	2
19	1454	RING, RETAINING, E STYLE	2
20	1442-999	ARM, 1.5 X 1, FORK	1
21	AK2311	CONTACT WHEEL, 1 x 1, FORK, 70D	1

OPTIONAL CONTACT WHEELS	
PART NUMBER	DESCRIPTION
AE2311	1.5 x 1
AN2311	.75 x 1 USES 1436 BUSHINGS
AL2311	.56 x 1 USES 1436 BUSHINGS

<u>TITLE</u>	<u>DATE DRAWN</u>	<u>REV DATE</u>	<u>DRAWN BY</u>	<u>SHEET</u>
1401	9/8/2009		CMW	2 OF 2