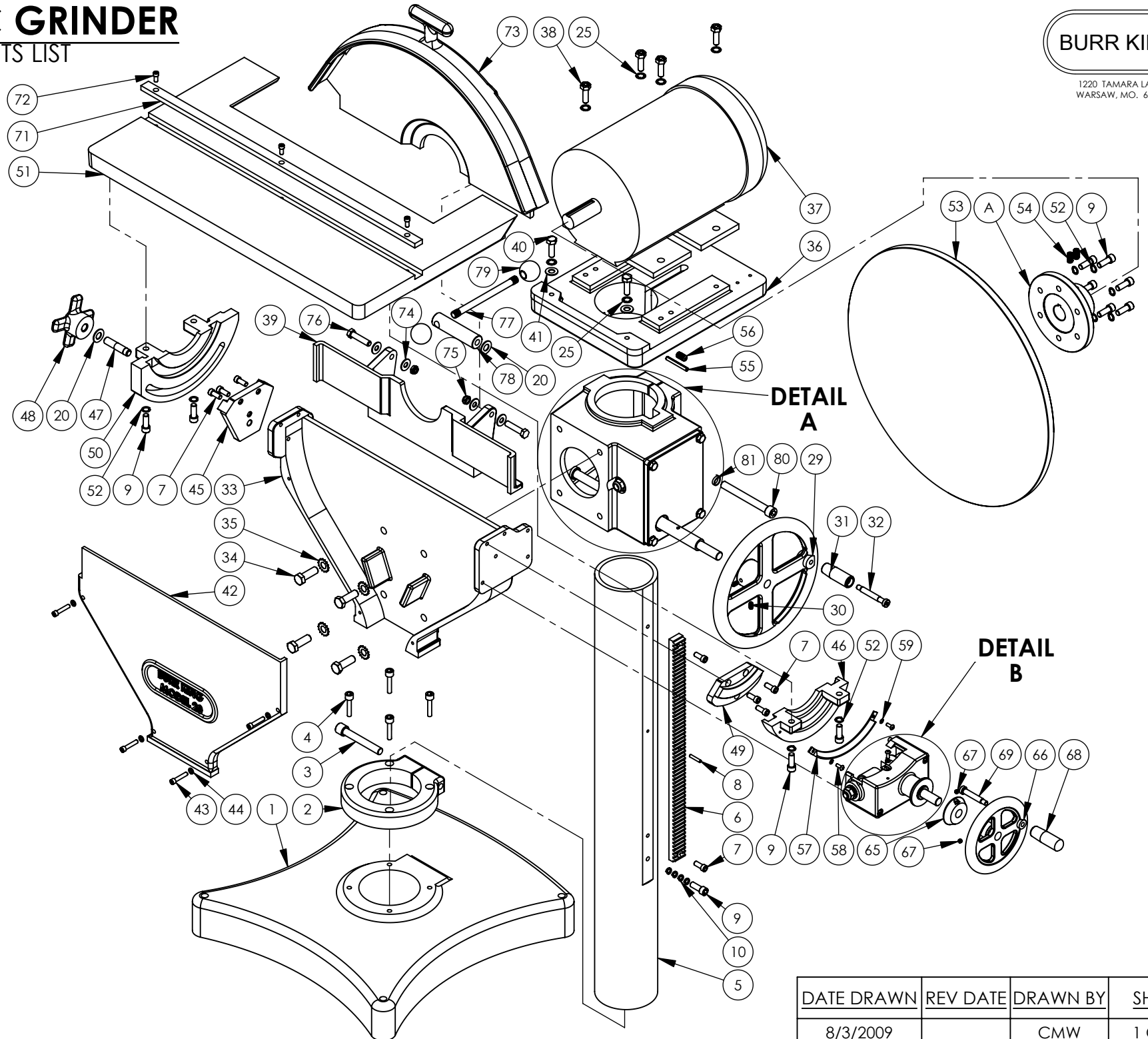


20" DISC GRINDER

PARTS LIST



1220 TAMARA LANE
WARSAW, MO. 65355



DATE DRAWN	REV DATE	DRAWN BY	SHEET
8/3/2009		CMW	1 OF 4

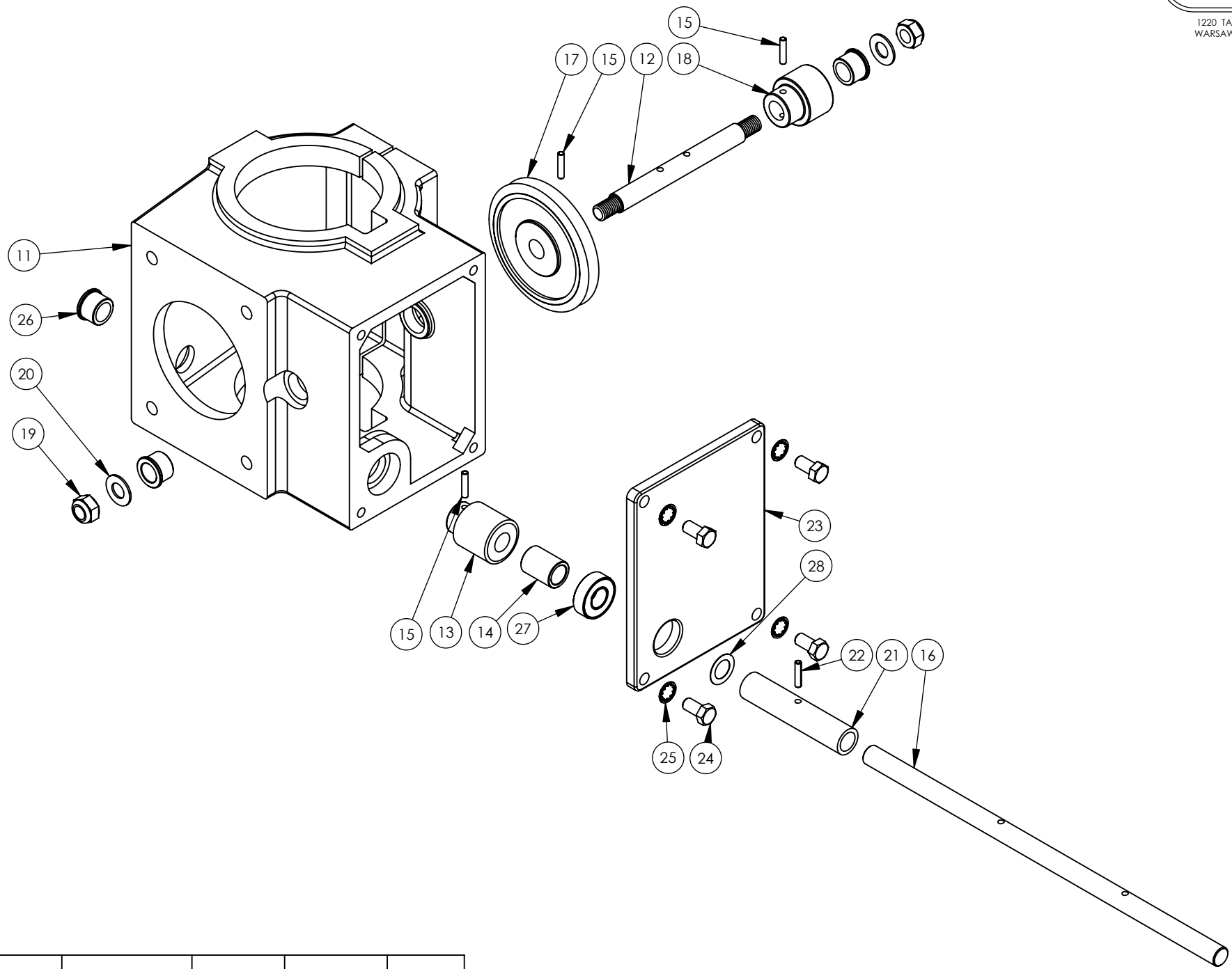


1220 TAMARA LANE
WARSAW, MO. 65355

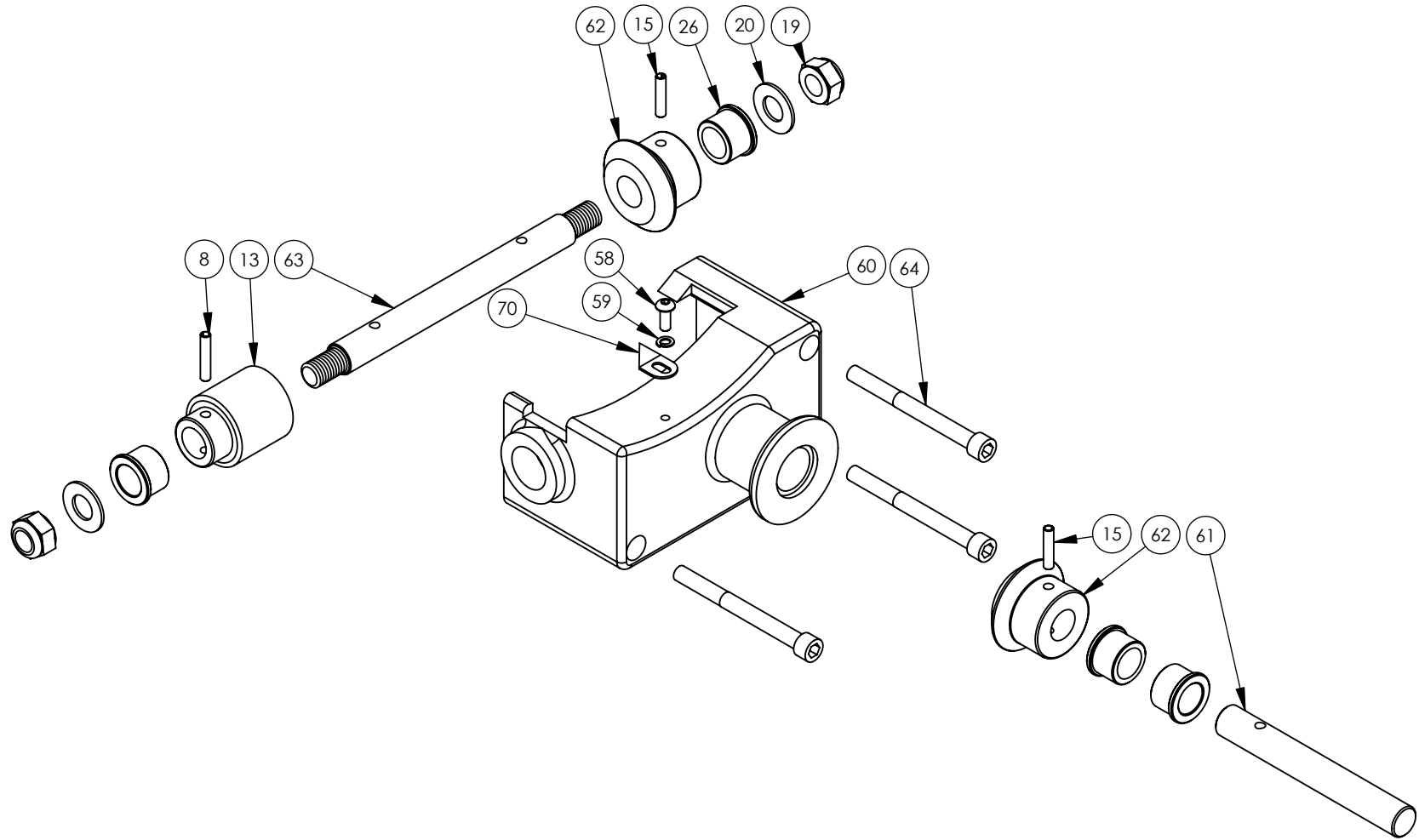
20in DISC GRINDER			
ITEM NO.	PART NUMBER	DESCRIPTION	QTY.
1	2031	BASE	1
2	2029	CLAMP	1
3	2-0012	SCREW, 1/2-13 X 3.5, ALLEN, SOC CAP	1
4	2-0010	BOLT, 3/8-16 x 1 1/2 SHCS	4
5	2004	COLUMN	1
6	2023	GEAR RACK	1
7	2-0001	BOLT, 5/16-18 x 3/4 ALLEN CAP	8
8	424	PIN, 3/16 X 1-1/2, ROLL	2
9	2-0016	SCREW, 3/8-16 x 1 ALLEN CAP	11
10	5-0002	WASHER, 5/16 HI-COLLAR LOCK	4
11	2017M	BOX, GEAR	1
12	2041	SHAFT, MAIN GEAR BOX	1
13	2022	GEAR, WORM RH	2
14	2037M	SPACER, SHORT, GEAR	1
15	6-0001	PIN, 3/16 X 1, ROLL	5
16	2042	SHAFT, COUNTER GEAR BOX	1
17	2021	GEAR, WORM RH, DRIVEN	1
18	2024	GEAR, SPUR	1
19	4-0001	NUT, 1/2-13 JAM NYLOK	4
20	21	WASHER, 1/2 FLAT SAE	6
21	2036	SPACER, MAIN	1
22	6-0016	PIN, 3/16 X 1, ROLL	1
23	2019M	COVER, GEAR BOX	1
24	1-0005	BOLT, 3/8-16 x 3/4, HEX	4
25	5-0014	WASHER, LOCK 3/8, INTERNAL STAR	10
26	2025	BUSHING, FLANGE	7
27	701B	BEARING	1
28	5-0026	SHIM (.015), ARBOR	1
29	2014	WHEEL, LARGE HAND	1
30	1445	SCREW, SET 1/4-20 x 3/8	2
31	2045	HANDLE, LARGE WHEEL	1
32	2-0022	SCREW, 3/8x2-1/4 x 5/16-18x1/2 SH	1
33	2011M	CHUTE, DUST	1
34	1-0008	1/2-13 x 1 1/2 HEX HEAD BOLT	4
35	5-0007	BOLT, 1/2-13 x 1 1/2	4
36	2005m	BASE, MOTOR	1
37	MOTOR	CALL FACTORY	1
38	1-0020	BOLT, 3/8-16x1 1/4 GRD8 HH	4
39	2015	GUARD, LOWER	1
40	1-0003	BOLT, 3/8-16 x 1 1/4 HEX HEAD	2

20in DISC GRINDER			
ITEM NO.	PART NUMBER	DESCRIPTION	QTY.
41	5-0023	WASHER, 3/8 X 7/8, USS	2
42	2012	COVER, DUST CHUTE	1
43	31	SCREW, 1/4-20x1 1/4 SHCS	4
44	5	WASHER, AN 960-416	4
45	2010M	GUIDE, LARGE	1
46	2008M	SECTOR, GEAR TABLE	1
47	2040	STUD, LARGE GUIDE, DISC	1
48	2048	KNOB, TABLE LOCKING	1
49	2009M	GUIDE, SMALL	1
50	2007M	SECTOR, TABLE, GUIDE	1
51	2006M	TABLE	1
52	5-0030	WASHER, 3/8, HI-COLLAR, LOCK	10
53	2000M	DISC, 20 IN	1
A	2001M	HUB	1
54	3-0018	SCREW, SET 3/8-16 x 3/4	2
55	724	PIN, ROLL, UPPER IDLER	1
56	2-0048	SCREW, SET 3/8-24 x 34 ALLEN	1
57	2003	INDICATOR, TABLE TILT	1
58	9	SCREW, 10-24x1/2 BH	3
59	15	WASHER, #10 LOCK	3
60	2018	ROTATOR HOUSING	1
61	2047	SHAFT, COUNTER ROTATER	1
62	2020	GEAR, MITER	2
63	2043	SHAFT, MAIN ROTATOR	1
64	2-0008	BOLT, 5/16-18 x 3-1/4 ALLEN CAP	3
65	2002M	INDICATOR, ROUND	1
66	2013	WHEEL, HAND SMALL	1
67	3-0010	SCREW, SET 1/4-20 x 1/4 CUP	2
68	2044	HANDLE, SMALL WHEEL	1
69	2-0021	SCREW, 3/8 x 1-3/4, 5/16-18 x 1/2 SH	1
70	2061	POINTER, TABLE POSITION	1
71	2046	FILLER, TABLE	1
72	1431	BOLT, 1/4-20 X 1/2 ALLEN CS	3
73	2016	GUARD, DISC	1
74	40	WASHER, SAE, 3/8	4
75	4-0005	NUT, 3/8-16, JAM, ELASTIC, PLTD	2
76	1-0004	BOLT, 3/8-16 x 1-3/4 HH	2
77	2027	ARM, GEAR BOX, LOCKING	1
78	2039	SHAFT MAIN, TABLE	1
79	2049	KNOB, BALL	2
80	2-0006	BOLT, 1/2-13 x 4-1/2 ALLEN CAP	1
81	5-0003	WASHER, 1/2 ALLEN, LOCK	1

TITLE	DATE DRAWN	REV DATE	DRAWN BY	SHEET
20in DISC GRINDER	8/3/2009		CMW	4 OF 4



TITLE	DATE DRAWN	REV DATE	DRAWN BY	SHEET
DETAIL A	8/3/2009		CMW	2 OF 4



TITLE	DATE DRAWN	REV DATE	DRAWN BY	SHEET
DETAIL B	8/3/2009		CMW	3 OF 4