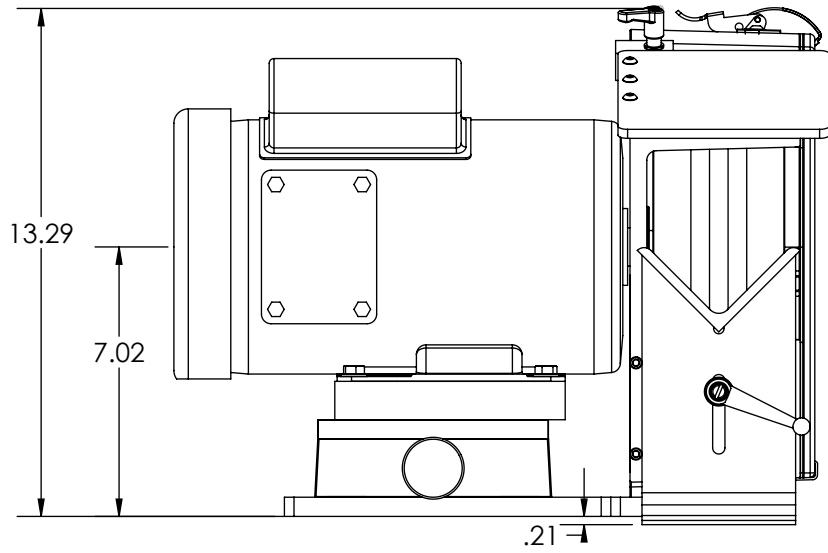
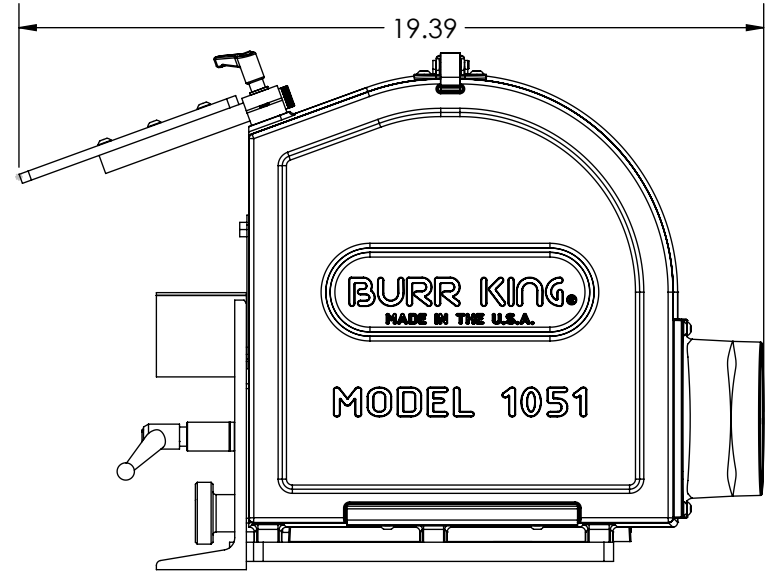


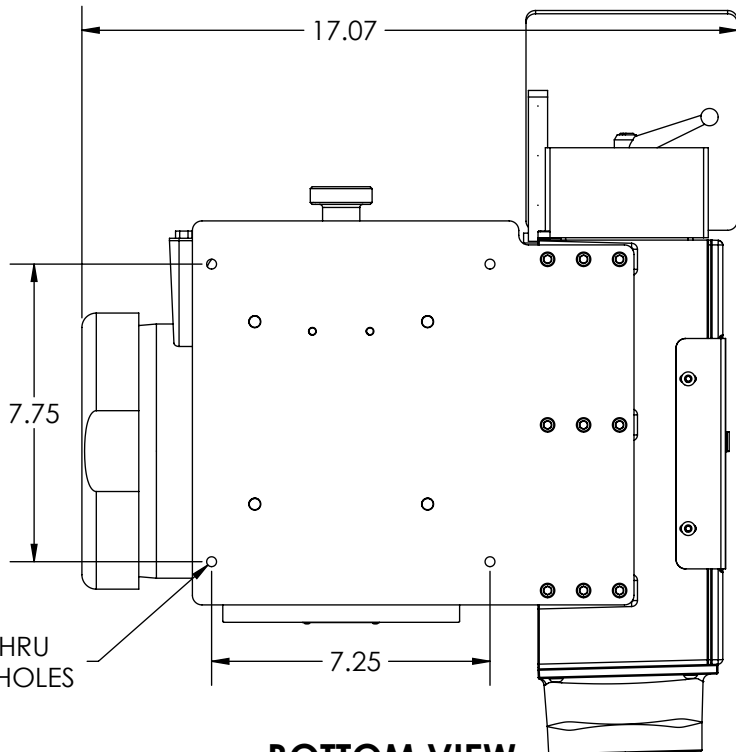
# M1051 FOOTPRINT



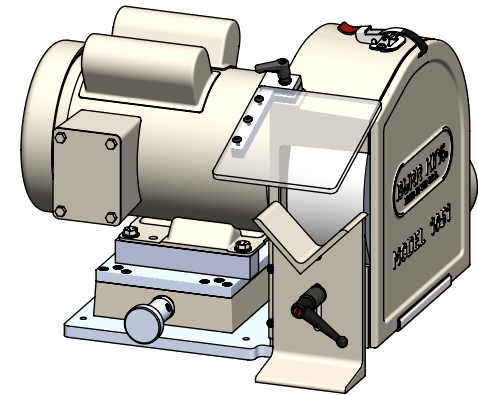
**FRONT VIEW**



**R.H. VIEW**



**BOTTOM VIEW**



1220 TAMARA LANE  
WARSAW, MO 65355  
PH: 660-438-8998  
800-621-2748  
FAX: 660-438-8991  
E-MAIL: info@burrking.com