



## ACCESSORY ARMS

## Value Adding Accessories & Options



Contact Arm #1453

Shown with  
2"x1" Contact Wheel



Contact Arm #1470

Shown with  
1"x.830" Contact Wheel



Contact Arm #1490

Shown with  
1"x 1.830" Contact Wheel



Contact Arm #1423

Shown with 3/8" x 7/16" Contact Wheel



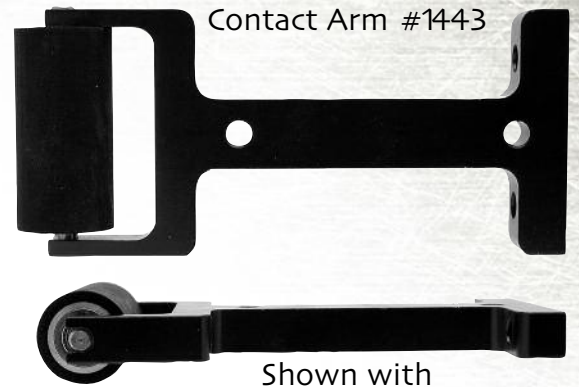
Wheel Diameters  
from 3/8" to 3"

Wheel Widths  
from 1/2" to 2"

Wheel Hardness  
from 50 to 90  
Duro

Wheels Plain  
Faced/Serrated

Call Us For  
Additional  
Specifications  
and Options



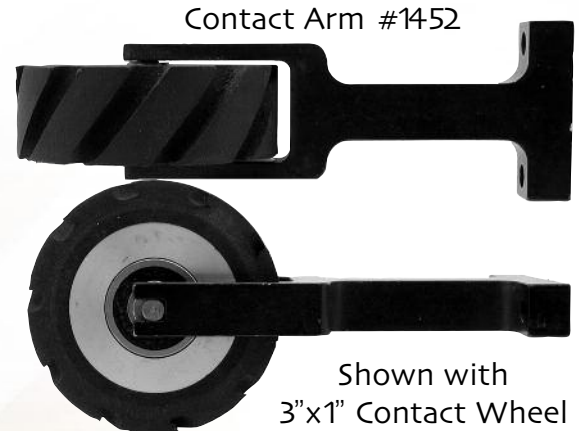
Contact Arm #1443

Shown with  
1"x2" Contact Wheel



Contact Arm #1451

Shown with  
1"x1" Contact Wheel



Contact Arm #1452

Shown with  
3"x1" Contact Wheel

**INTERCHANGEABLE  
ARMS FIT ALL  
INTERNAL GRINDING  
ATTACHMENTS**