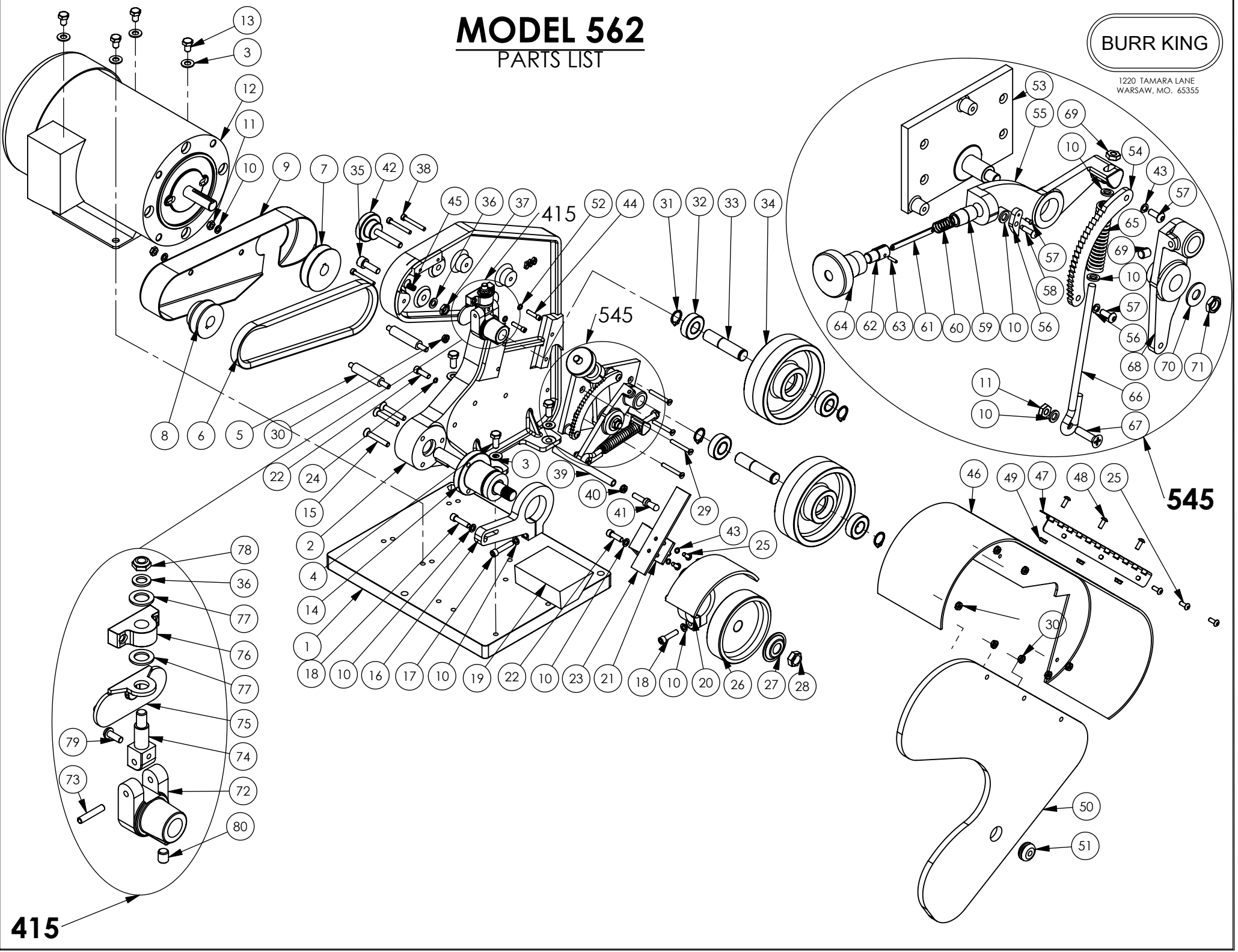


MODEL 562

PARTS LIST

BURR KING

1220 TAMARA LANE
WARSAW, MO. 65355



415

545

562			
ITEM NO.	PART NUMBER	DESCRIPTION	QTY.
1	731	BASE, MACHINE	1
2	500	FRAME	1
3	4	WASHER, 5/16 SAE ZINC PLTD	8
4	37	BOLT, 5/16-18x3/4 HEX HEAD	4
5	728A	STUD, GUARD, V, BELT	2
6	429	BELT, V DRIVE	1
7	725	PULLEY, 2.5	1
8	425	PULLEY, 2.0	1
9	428	GUARD, V-BELT	1
10	5	WASHER, 1/4 AN	10
11	3	NUT, 1/4-20 JAM, PLTD	4
12	MOTOR	CALL FACTORY *	1
13	2	BOLT, 5/16-18x1 1/2 HEX HEAD	4
14	701	BEARING, CONTACT WHEEL ASSY	1
15	6	SCREW, 1/4-20 x 1 1/2 FH SOC	3
16	405-1	ARM, WORKREST SUPPORT	1
17	31	SCREW, 1/4-20x1 1/4 SHCS	1
18	30	SCREW, 1/4-20x1 SHCS	2
19	706-1	WORKREST, ANTI-TILT	1
20	503	GUARD, CONTACT WHEEL	1
21	504B	BRACKET, BACKUP	1
22	209	SCREW, 1/4-20 X 3/4 ALLEN HEAD	2
23	504A	PLATEN, BACKUP	1
24	5-0032	WASHER, 1/4, LOCK, SPLIT	1
25	9	SCREW, 10-24x1/2 BH, BLK OXIDE	7
26	502	CONTACT WHEEL 4.75 x 1	1
27	726	FLANGE, OUTER WHEEL	1
28	727	NUT, 5/8-18 RH, JAM, BRT PLT	1
29	7	SCREW, 10-24 x 1 1/2 FLAT HD	4
30	14	NUT, 10-24, KEP	11
31	701F	RING, RETAINING	4
32	701B	Bearing 5/8 x 1 3/8 x .432	4
33	707c	SHAFT, BEARING	2
34	507	WHEEL, IDLER w/BEARINGS & SHAFT	2
35	421A	SCREW, 3/8-16 X 1 1/2 AHCS	1
36	18	WASHER, 960-516, AN	2
37	4-0009	NUT, 3/8-16, JAM, PLTD	1
38	8	SCREW, 10-24 x 1-1/2, BUTTON	4
39	942C-4	STANDOFF, DOOR	1
40	4-0013	NUT, KEP, 1/4-20	1
41	742L	LATCH, SAFETY GUARD DOOR	1

562			
ITEM NO.	PART NUMBER	DESCRIPTION	QTY.
42	711	KNOB ASSY, TRACKING	1
52	15	WASHER, 5/16 LOCK, SPLIT	4
44	13	SCREW, 10-24 x 3/4, SOC, HD, CAP	2
45	338	SPRING, TRACKING	1
46	542A	GUARD, SAFETY	1
47	742E	HINGE, GUARD TO DOOR	1
48	24	SCREW, 6-32 x 1/2, MACH	3
49	23	NUT, 6-32, KEP, PLTD	3
50	542B-1	DOOR, GUARD	1
51	742 H	GROMMET	1
52	5-0035	WASHER, #10, LOCK, HIGH COLLAR	2

545			
ITEM NO.	PART NUMBER	DESCRIPTION	QTY.
53	434	PLATE, BASE	1
54	736	SECTOR	1
55	437G	HANDLE, REAR WHEEL	1
56	437F	PAWL, REAR WHEEL	1
57	28	SCREW, DRIVE, #2 x 1/4	1
58	27	SCREW, DRIVE, #8 X 5/8	1
59	737E	NIPPLE, PIPE	1
60	737D	SPRING, BUTTON	1
61	437C	STRIP	1
62	737B	BUTTON	1
63	26	PIN, 3/32 x 3/8, ROLL PLTED	1
64	737A	KNOB, REAR TENSION ARM	1
65	538	SPRING, BELT TENSION	1
66	539	GUIDE, SPRING	1
67	34	SCREW, 1/4-20 X 1, FH PHILLIPS	1
68	435	SUPPORT, REAR WHEEL	1
69	25	SCREW, SET, 5/16-18 X 3/8, ALLEN	1
70	40	WASHER, SAE, 3/8	1
71	39	NUT, 3/8-24, JAM, ESNA, NTE	1

415			
ITEM NO.	PART NUMBER	DESCRIPTION	QTY.
72	414	SUPPORT, BEARING, UPPER	1
73	424	PIN, 3/16 X 1 1/2, ROLL	1
74	416	SWIVEL, UPPER WHEEL	1
75	410	BRACKET, TRACKING	1
76	717	HOLDER, SWIVEL	1
77	16	WASHER, 960-716, AN	2
78	19	NUT, 5/16-24, ESNA	1
79	29	SCREW, 10-32 X 1/2 BH	1
80	25	SCREW, SET, 5/16-18 X 3/8, ALLEN	1

BURR KING

1220 TAMARA LANE
WARSAW, MO. 65355

* 011C ROCKER SWITCH FOR 1 PH.