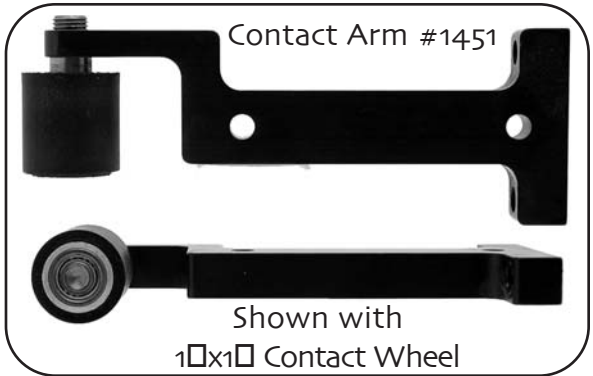
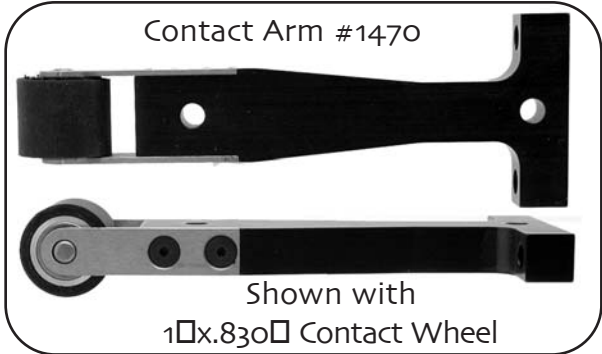
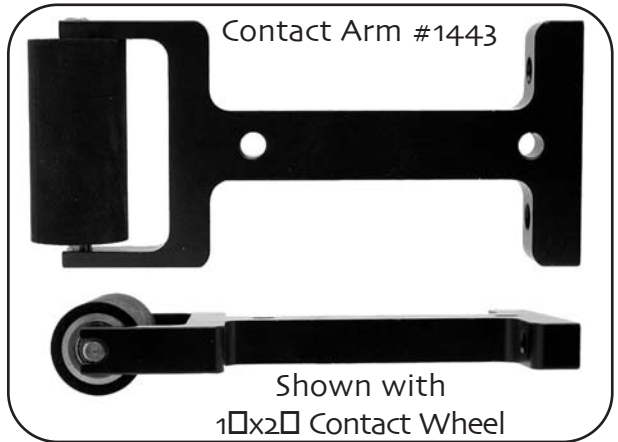




# ADVANTAGE

## ACCESSORY ARMS

## Value Adding Accessories & Options



Wheel Diameters  
from 3/8" to 3"

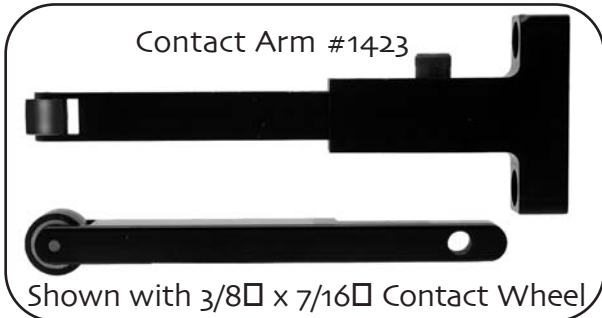
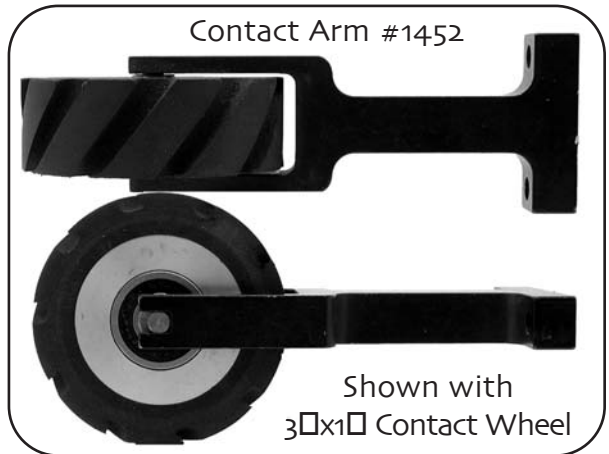
Wheel Widths  
from 1/2" to 2"

Wheel Hardness  
from 50 to 90  
Duro

Wheels Plain  
Faced/Serrated

See page 1 and 5  
in Master Part  
Listing for  
Contact wheels  
and Parts

Call Us For  
Additional  
Specifications  
and Options



**INTERCHANGEABLE  
ARMS FIT ALL  
INTERNAL GRINDING  
ATTACHMENTS**